

| OPERATION WHEN DIRECTLY CONNECTED TO CHIMNEY | |
|--|-----------------------|
| Tested according to | EN 13229 |
| Nominal heat power | 10 kW |
| Efficiency | > 80 % |
| Consumption of wood | 3 kg/h |
| Mass flow of flue gas | 9 g/s |
| Average flue gas temperature on the output | 265 °C |
| Heat distribution | |
| fireplace insert | 54–65 % |
| door glass (single / double) | 46 / 35 % |
| Required chimney pressure | 12 Pa |
| Required amount of combustion air | 30 m ³ /h |
| Minimum supply air grating cross-section | 1 200 cm ² |
| Minimum outgoing air grating cross-section | 1 400 cm ² |

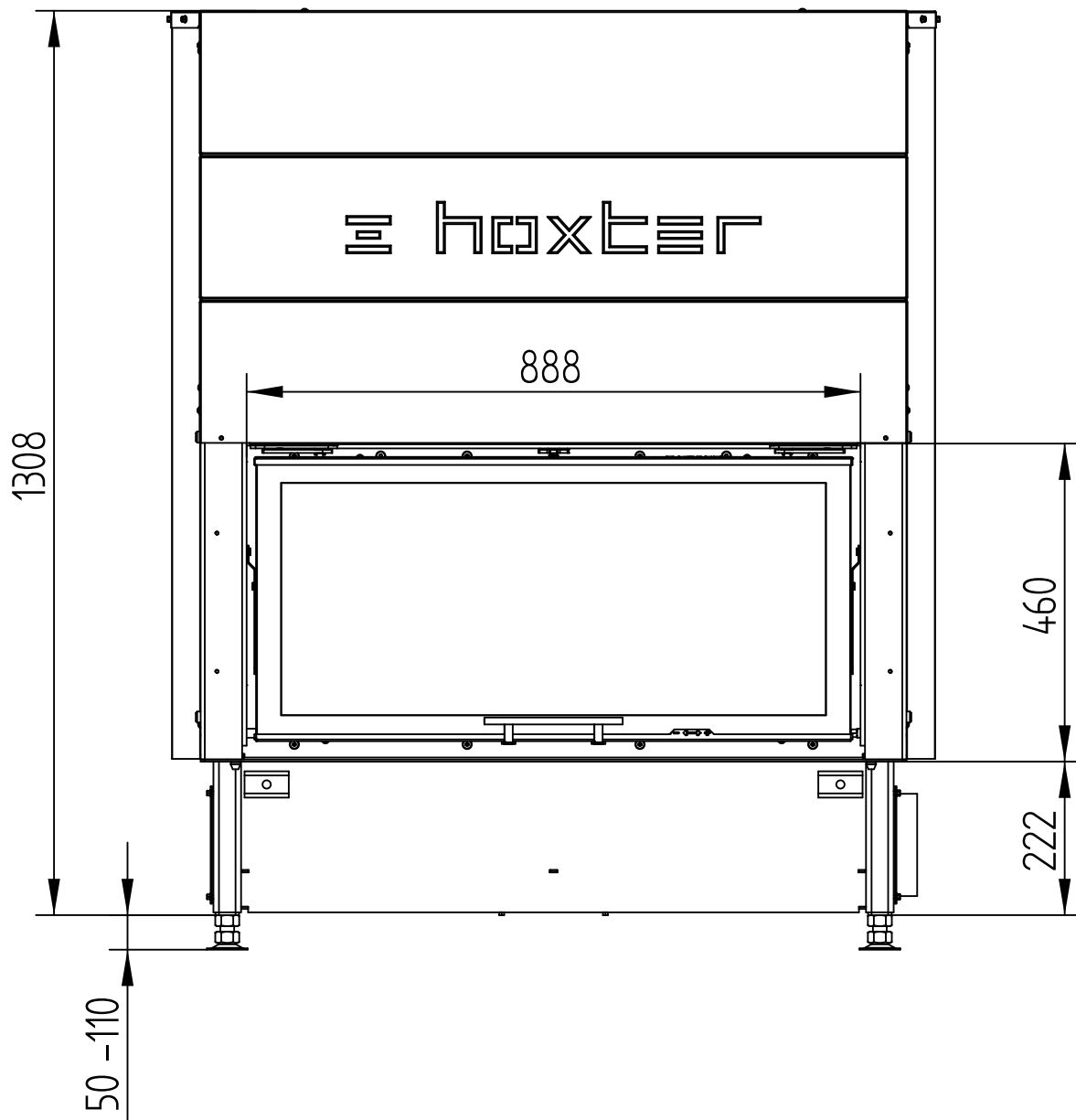
| GENERAL TECHNICAL INFORMATION | |
|--|---|
| Combustion air connection | Ø 150 mm |
| Total weight / lining weight | 370 ^(A) - 312 ^(B) - 250 ^(C) / 105 kg |
| Use in non-ventilated accumulation builds according to craft rules | suitable |
| Meets values | BImSchV (Stufe2), 15a BVG |

HAKA 89/45T(h)

Technical data
Version 01/2018

SLIDE-UP / SLIDE-UP DOORS (A)

M 1 : 10

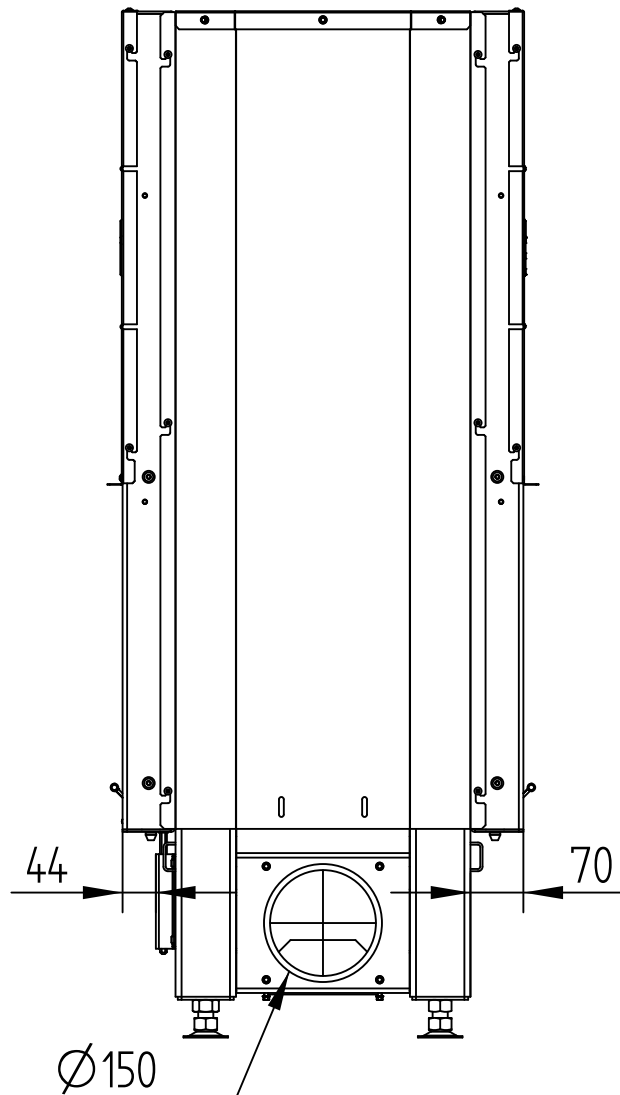


HAKA 89/45T(h)

Technical data
Version 01/2018

SLIDE-UP / SLIDE-UP DOORS (A)

M 1 : 10

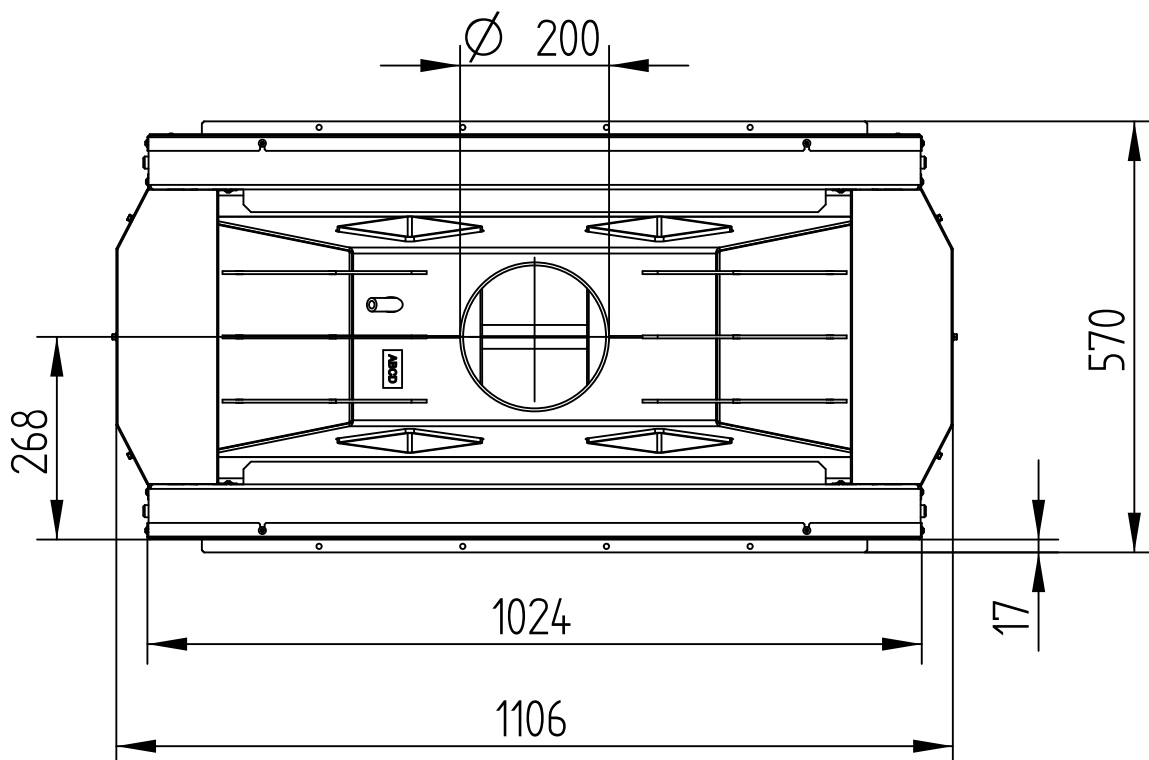


HAKA 89/45T(h)

Technical data
Version 01/2018

SLIDE-UP / SLIDE-UP DOORS ^(A)

M 1 : 10

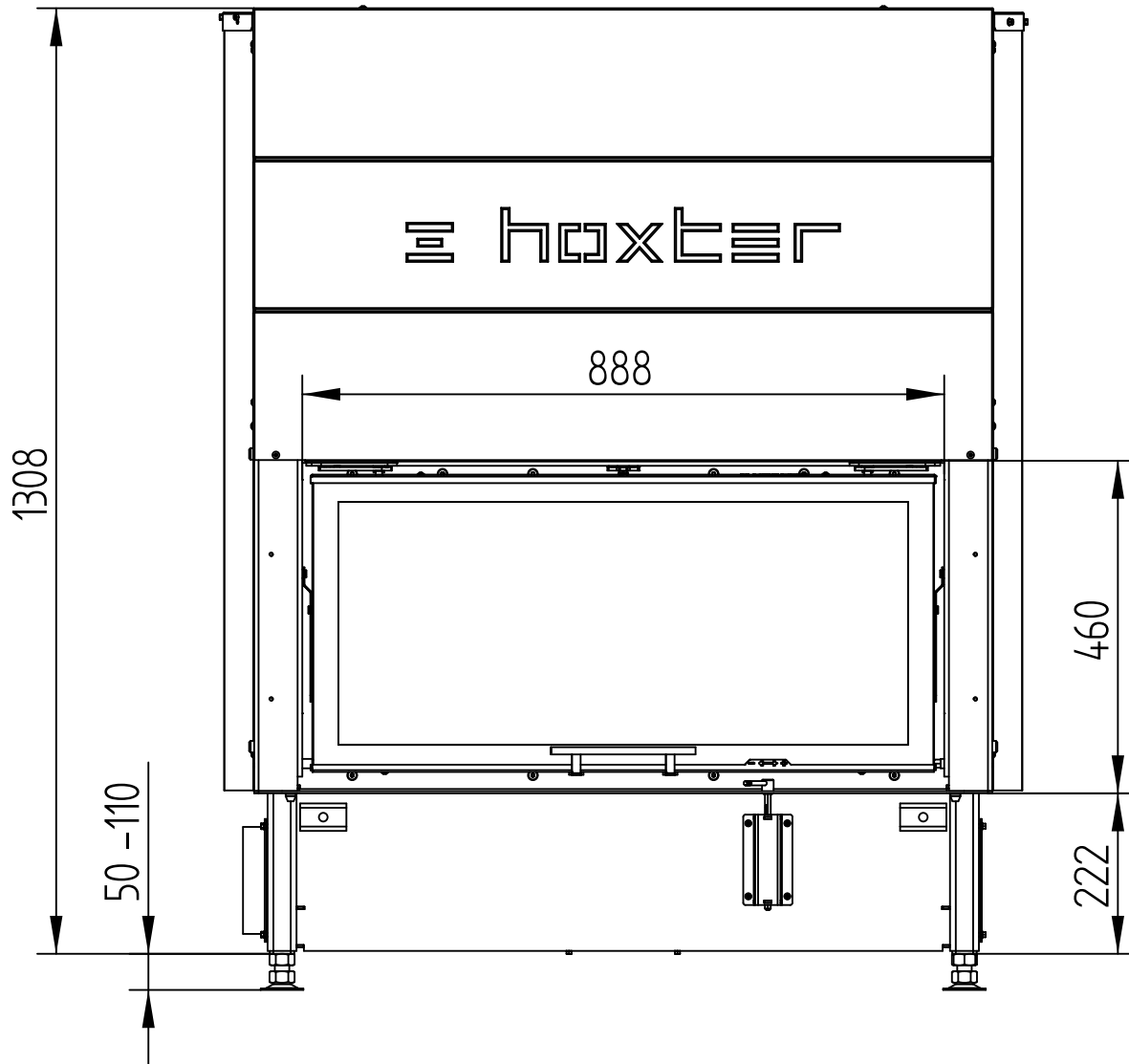


HAKA 89/45T(h)

Technical data
Version 01/2018

SLIDE-UP / HINGED DOORS ^(B)

M 1 : 10

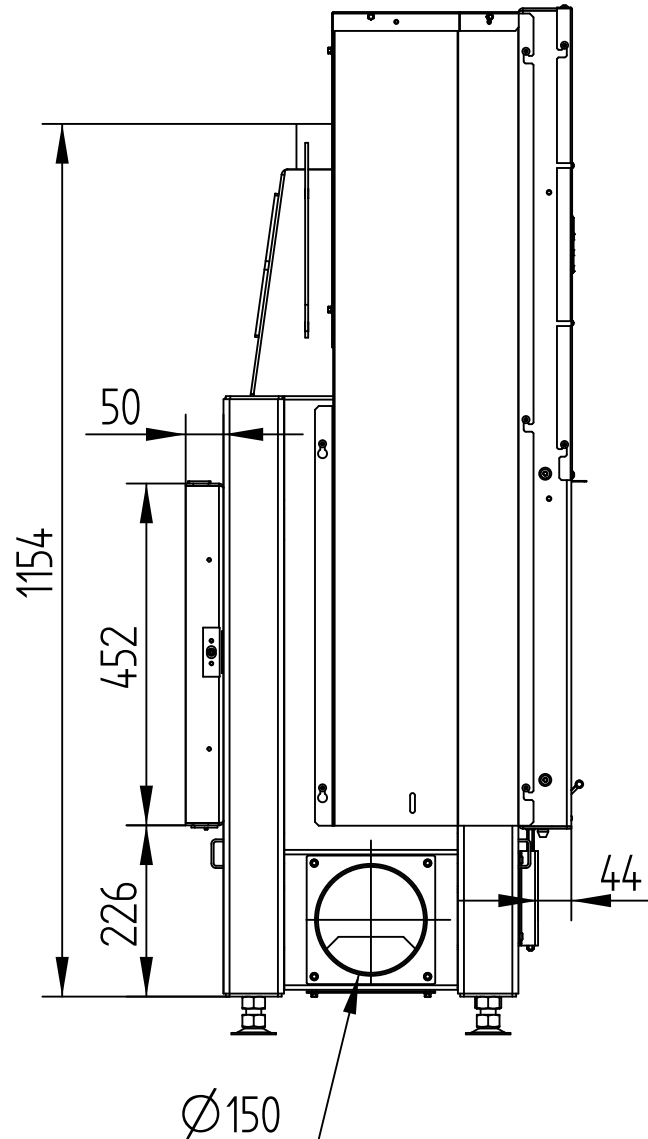


HAKA 89/45T(h)

Technical data
Version 01/2018

SLIDE-UP / HINGED DOORS ^(B)

M 1 : 10

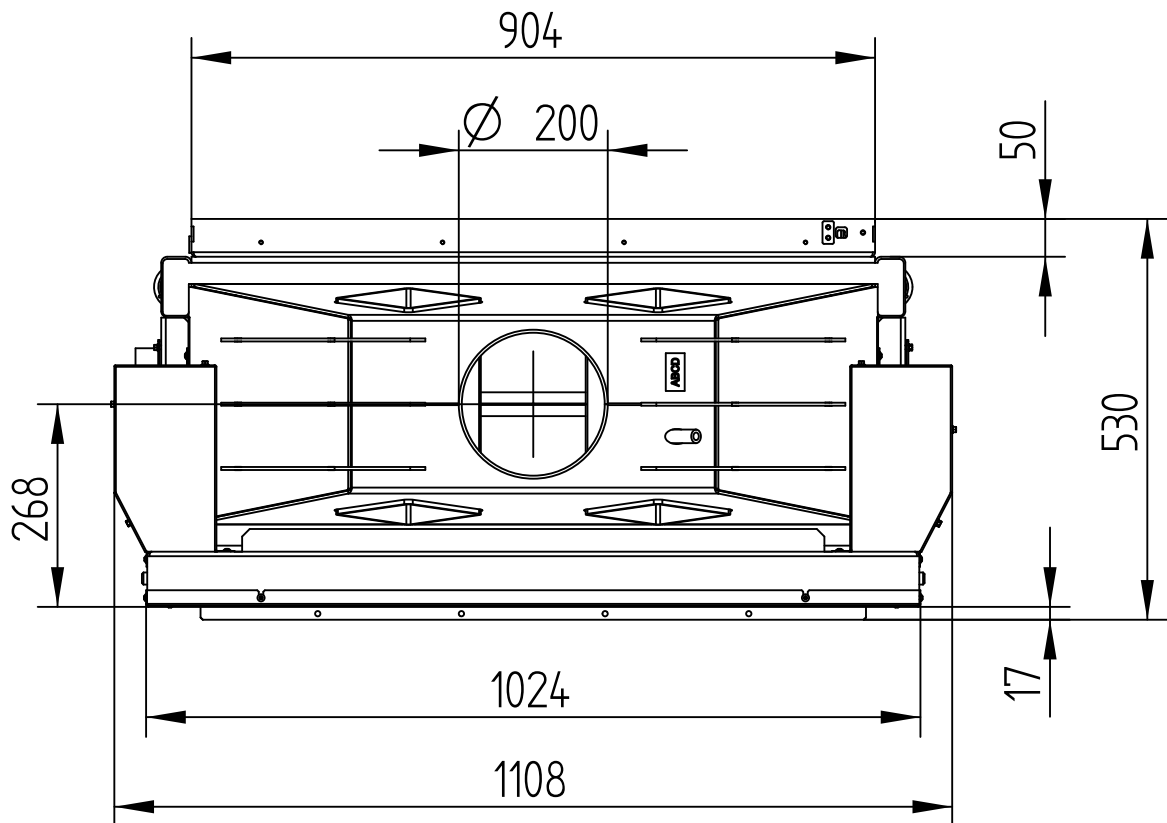


HAKA 89/45T(h)

Technical data
Version 01/2018

SLIDE-UP / HINGED DOORS ^(B)

M 1 : 10

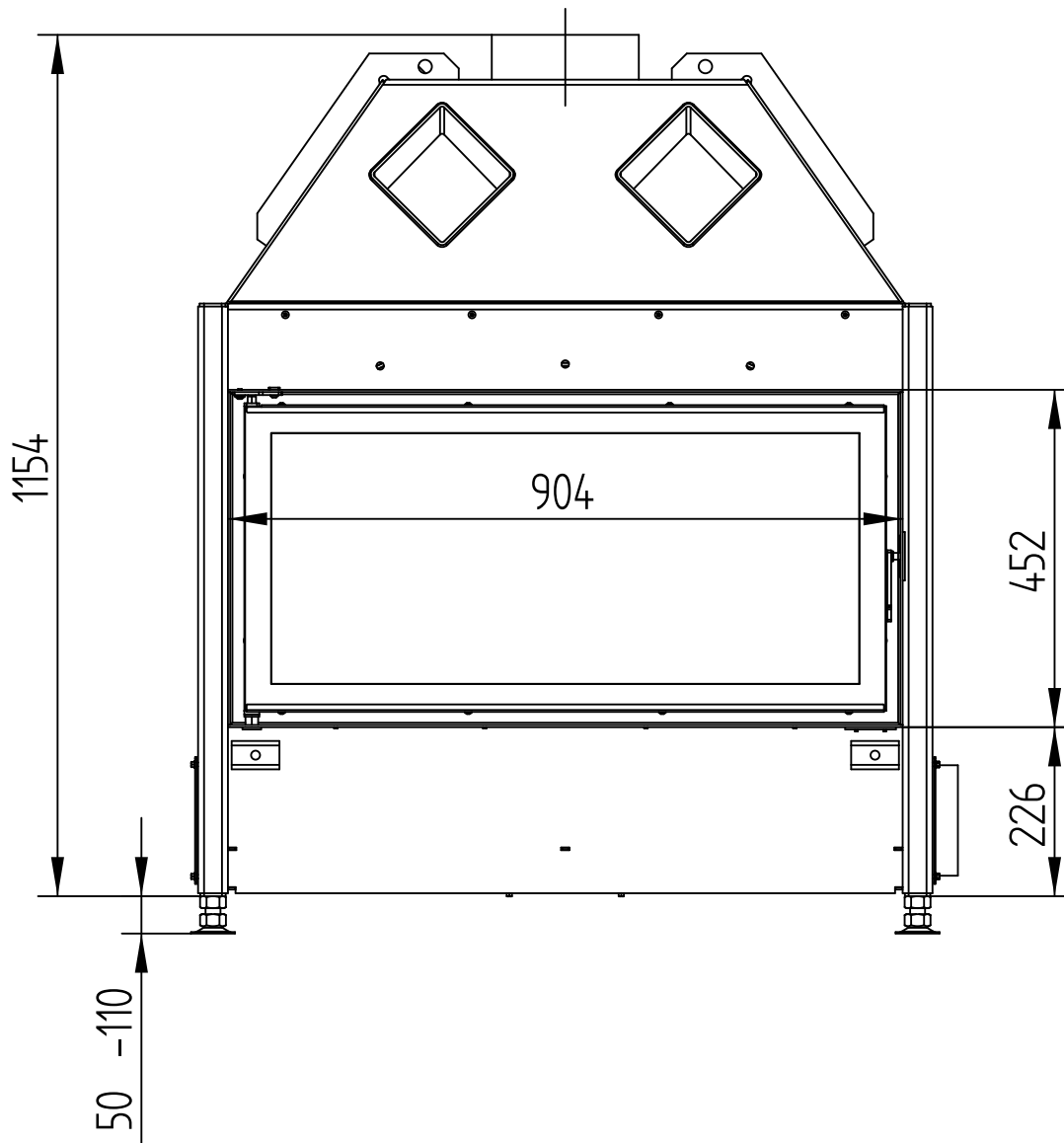


HAKA 89/45T(h)

Technical data
Version 01/2018

HINGED / HINGED DOORS (C)

M 1 : 10

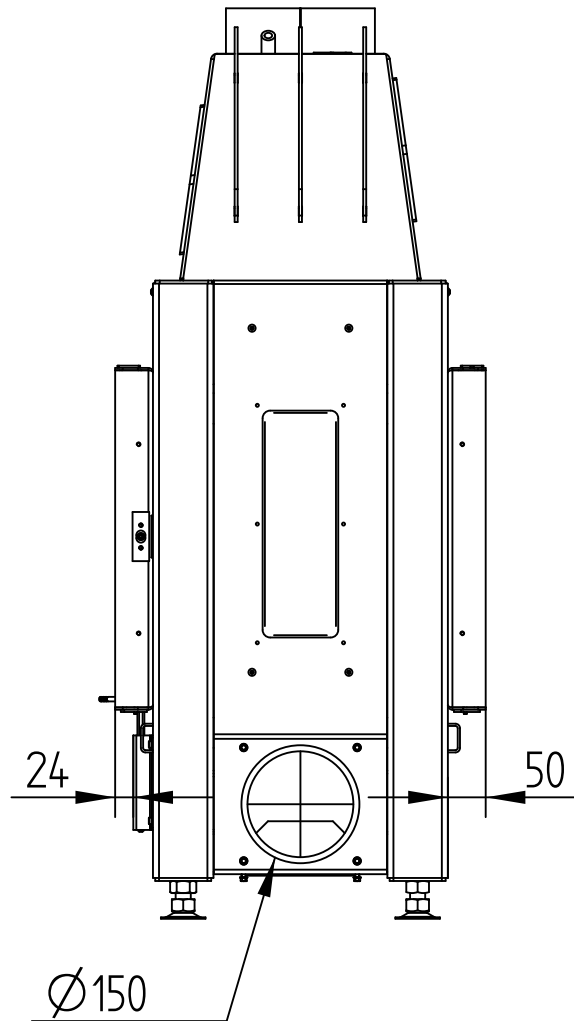


HAKA 89/45T(h)

Technical data
Version 01/2018

HINGED / HINGED DOORS (C)

M 1 : 10

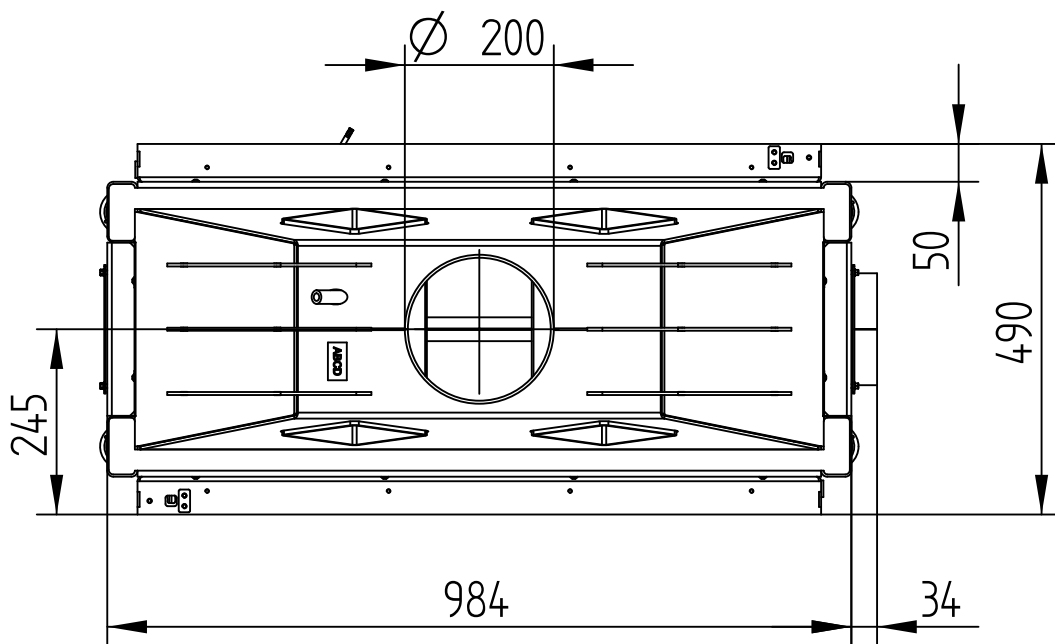


HAKA 89/45T(h)

Technical data
Version 01/2018

HINGED / HINGED DOORS (C)

M 1 : 10



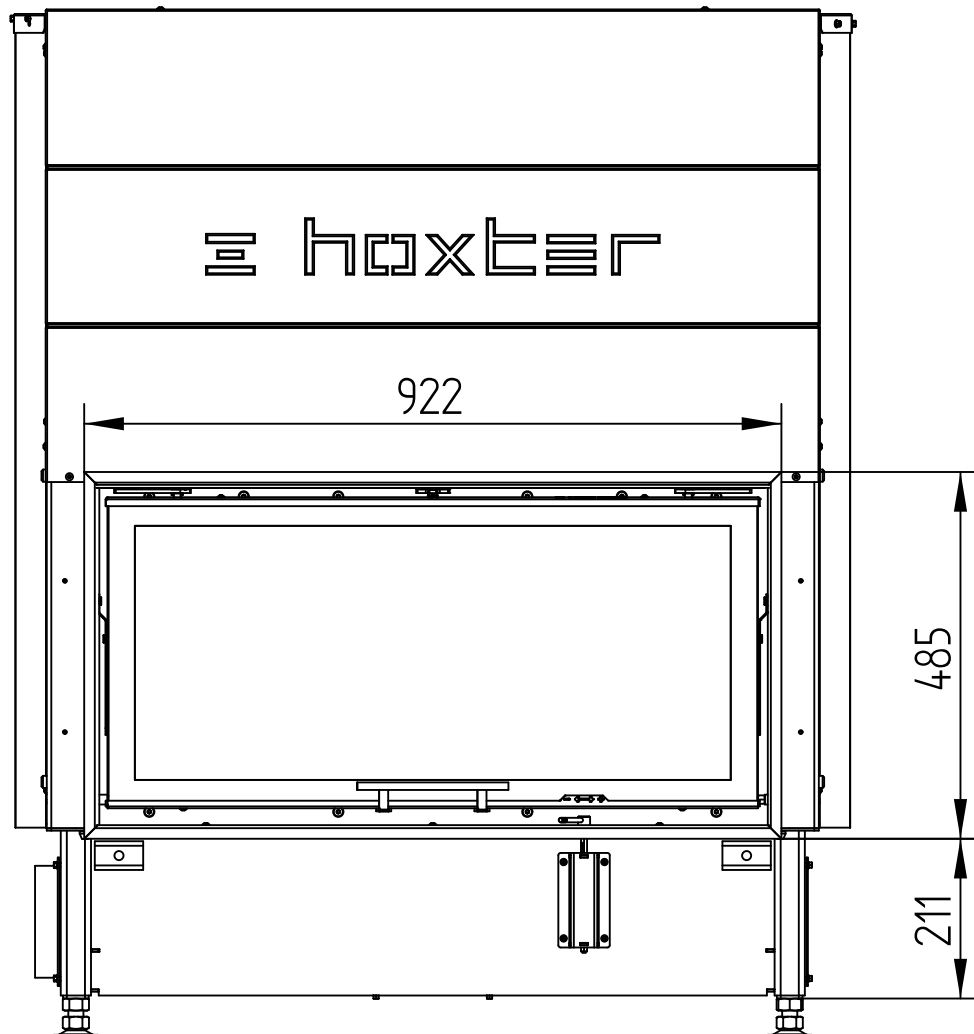
HAKA 89/45T(h)

Technical data
Version 01/2018

COVER FRAME 4-SIDED 1 x 90°, 50 mm

M 1 : 10

Slide-up doors



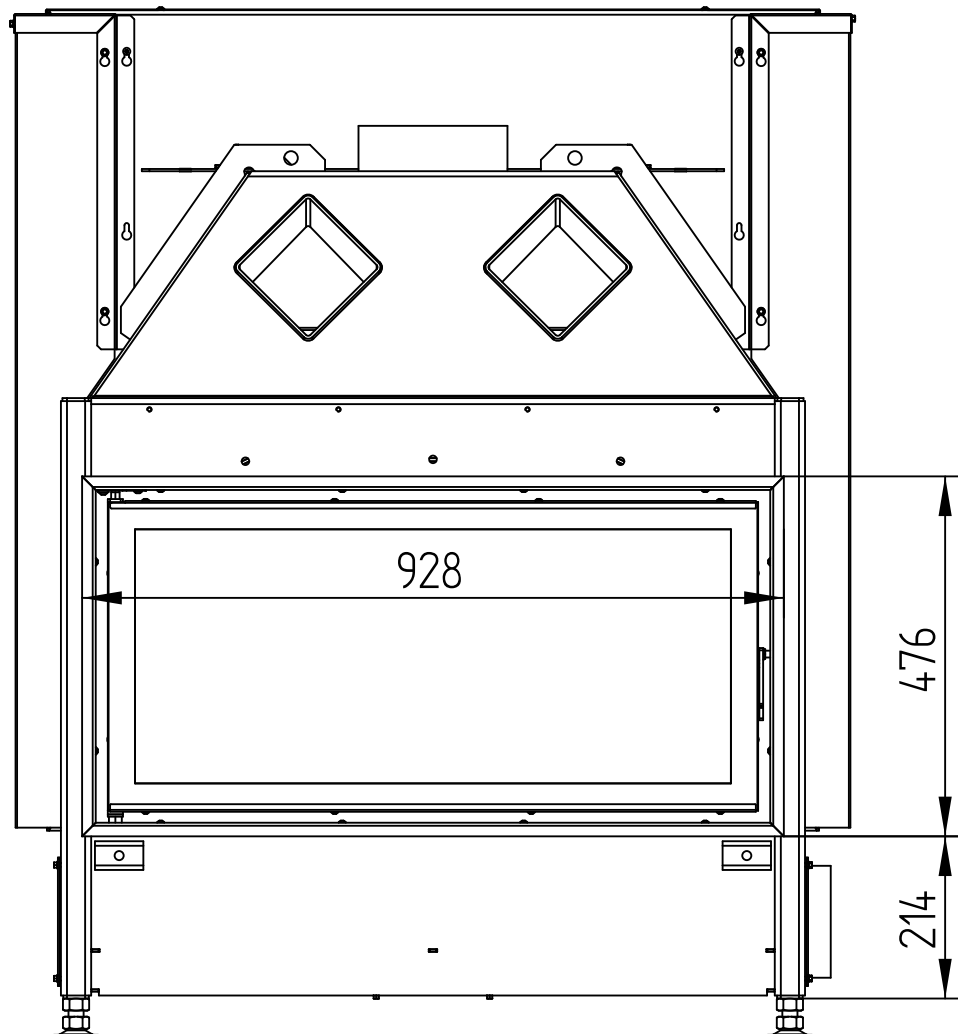
HAKA 89/45T(h)

Technical data
Version 01/2018

COVER FRAME 4-SIDED 1 x 90°, 50 mm

M 1 : 10

Hinged doors

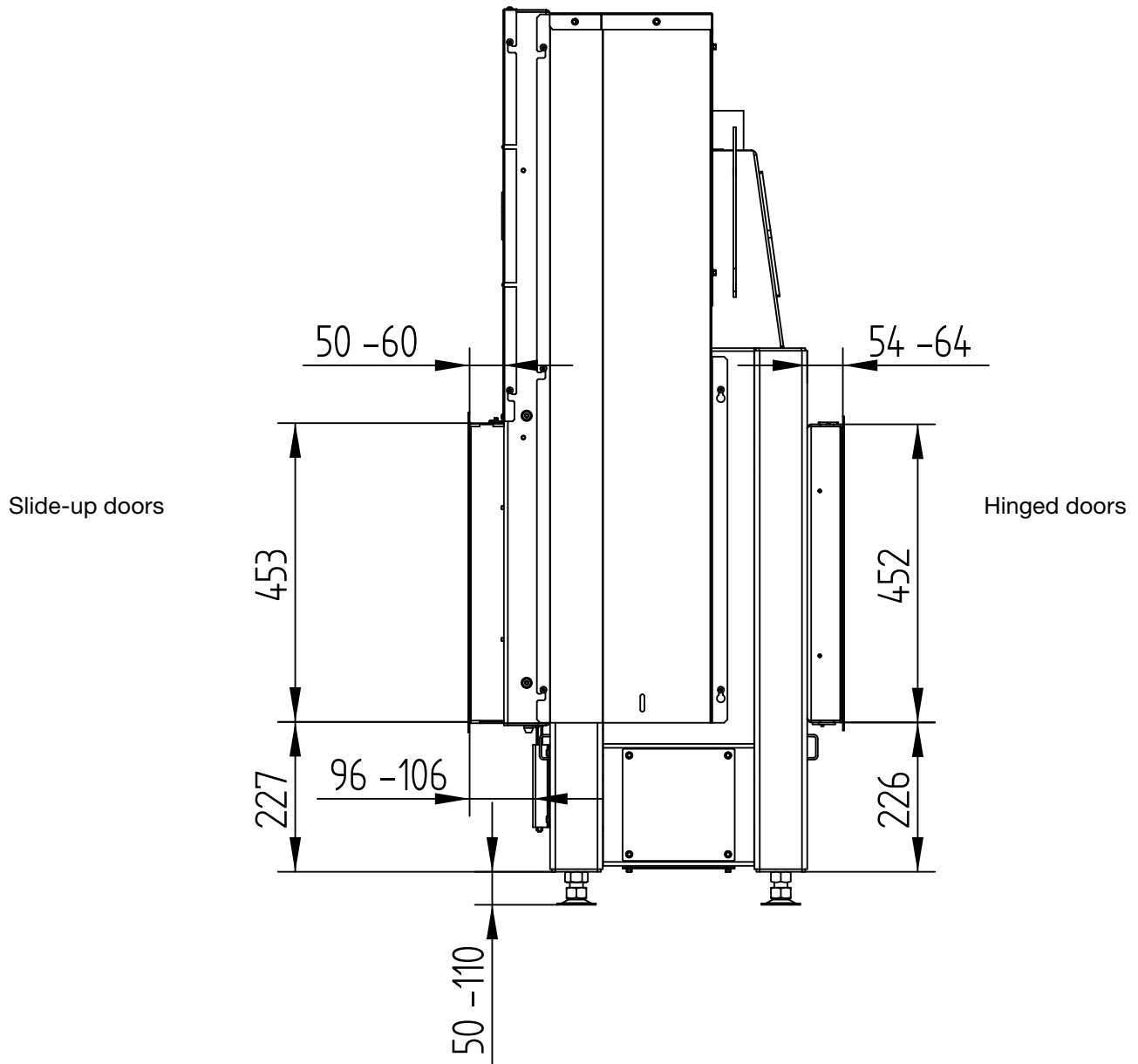


HAKA 89/45T(h)

Technical data
Version 01/2018

COVER FRAME 4-SIDED 1 x 90°, 50 mm

M 1 : 10

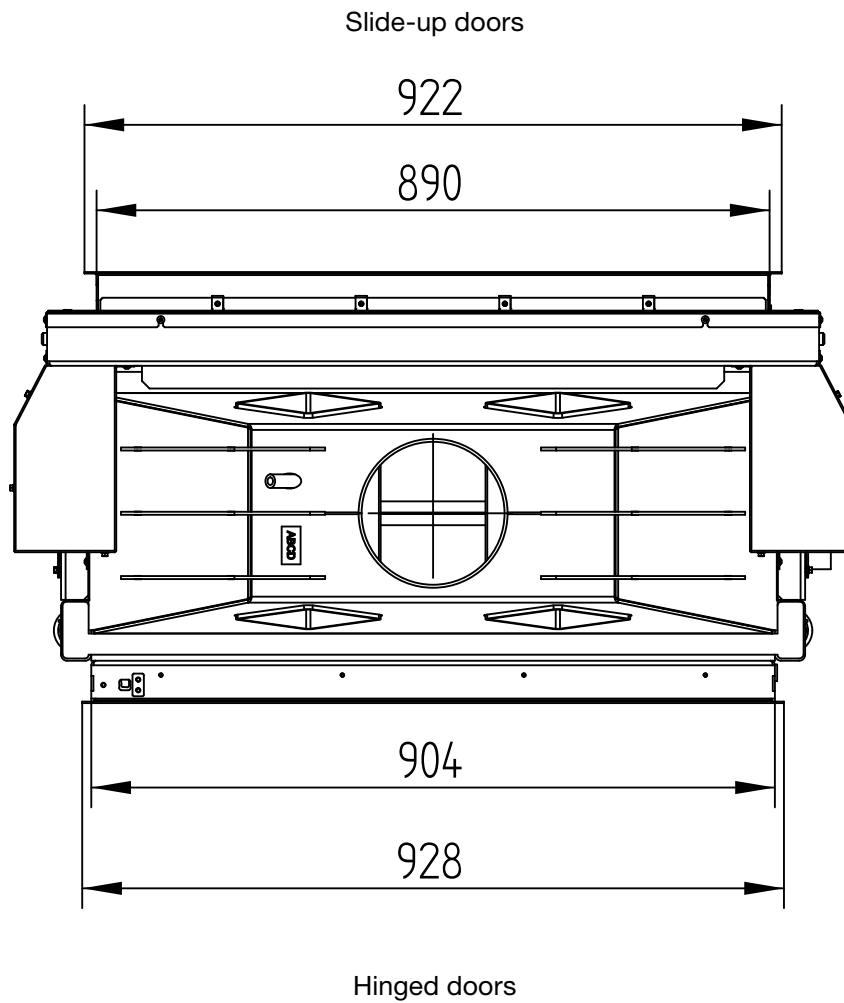


HAKA 89/45T(h)

COVER FRAME 4-SIDED 1 x 90°, 50 mm

Technical data
Version 01/2018

M 1 : 10



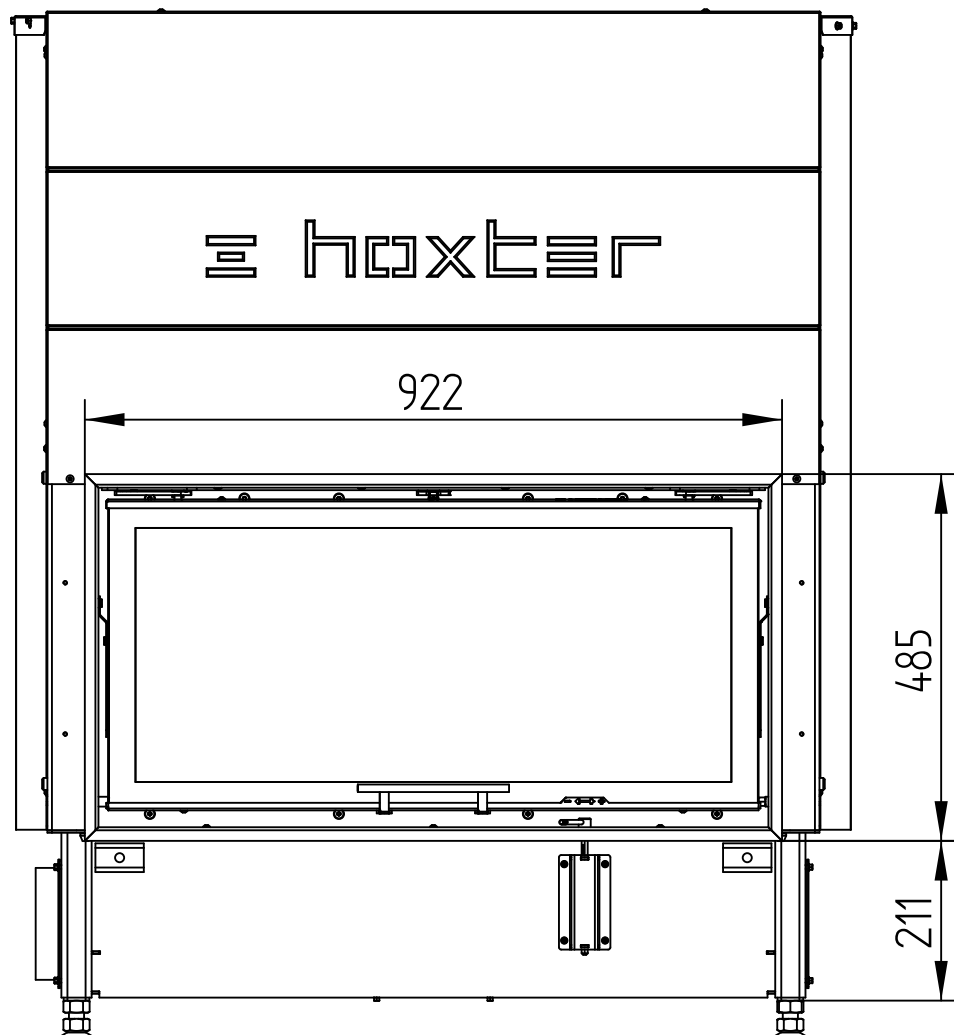
HAKA 89/45T(h)

Technical data
Version 01/2018

COVER FRAME 4-SIDED 1 x 90°, 80 mm

M 1 : 10

Slide-up doors



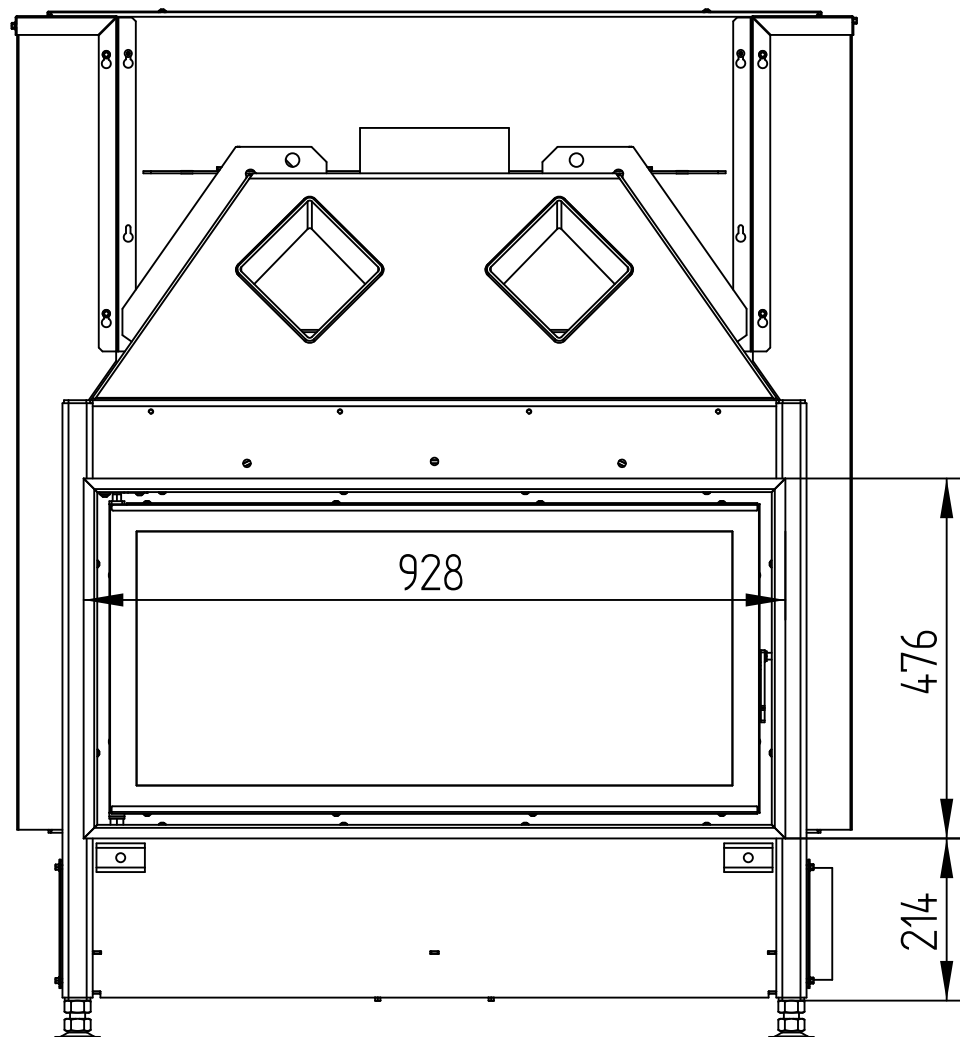
HAKA 89/45T(h)

Technical data
Version 01/2018

COVER FRAME 4-SIDED 1 x 90°, 80 mm

M 1 : 10

Hinged doors

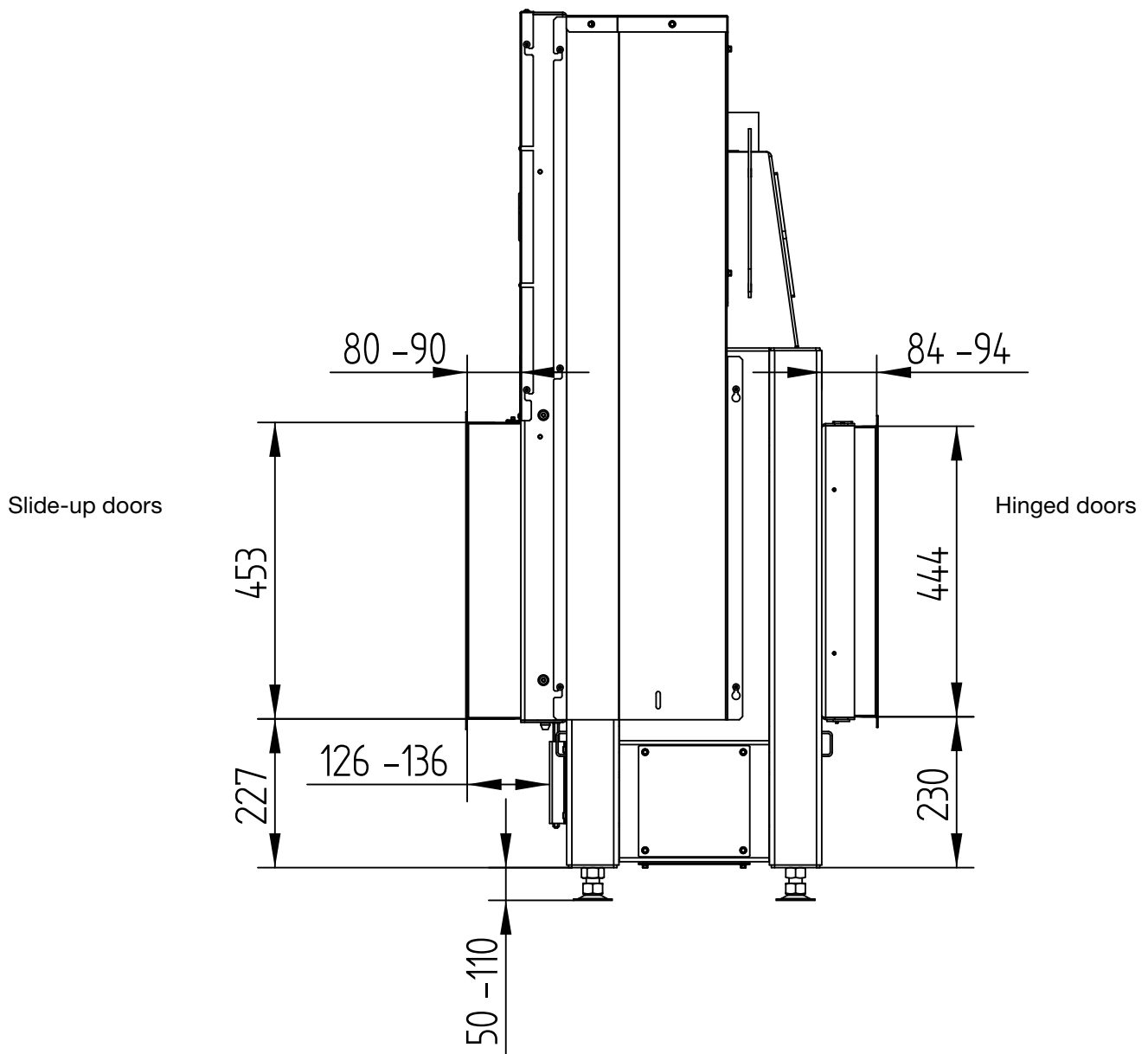


HAKA 89/45T(h)

Technical data
Version 01/2018

COVER FRAME 4-SIDED 1 x 90°, 80 mm

M 1 : 10

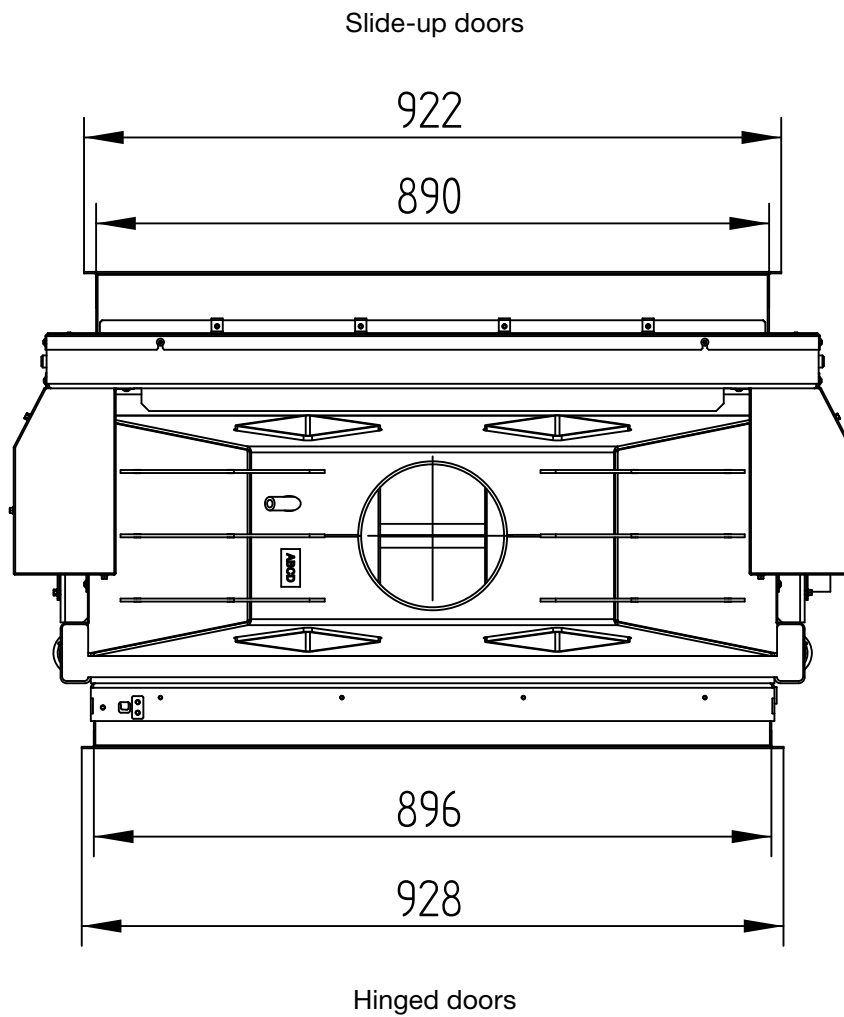


HAKA 89/45T(h)

COVER FRAME 4-SIDED 1 x 90°, 80 mm

Technical data
Version 01/2018

M 1 : 10



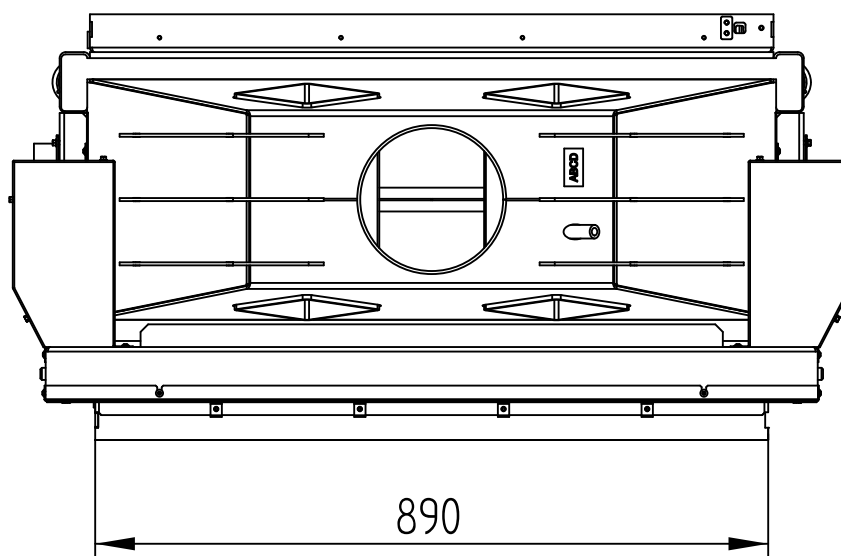
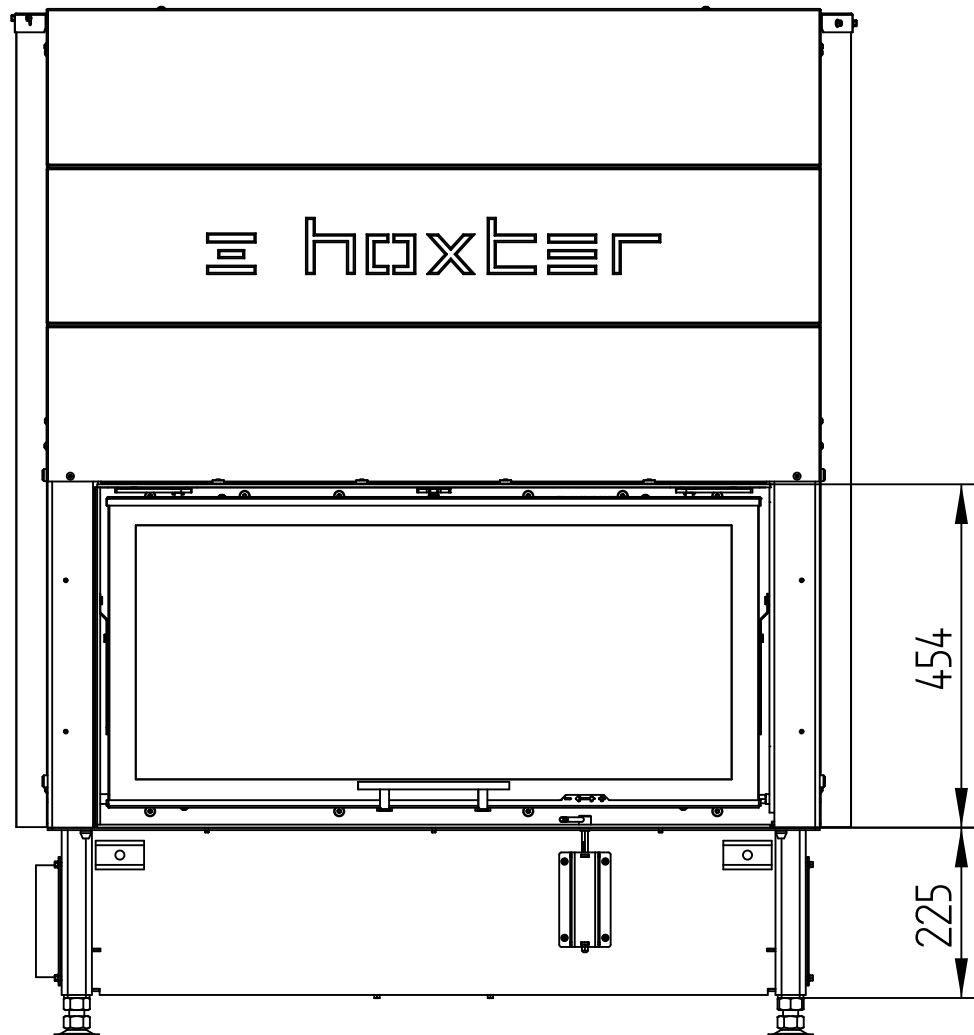
HAKA 89/45T(h)

Technical data
Version 01/2018

BUILD-ON FRAME 4-SIDED, 50 mm

M 1 : 10

Slide-up doors



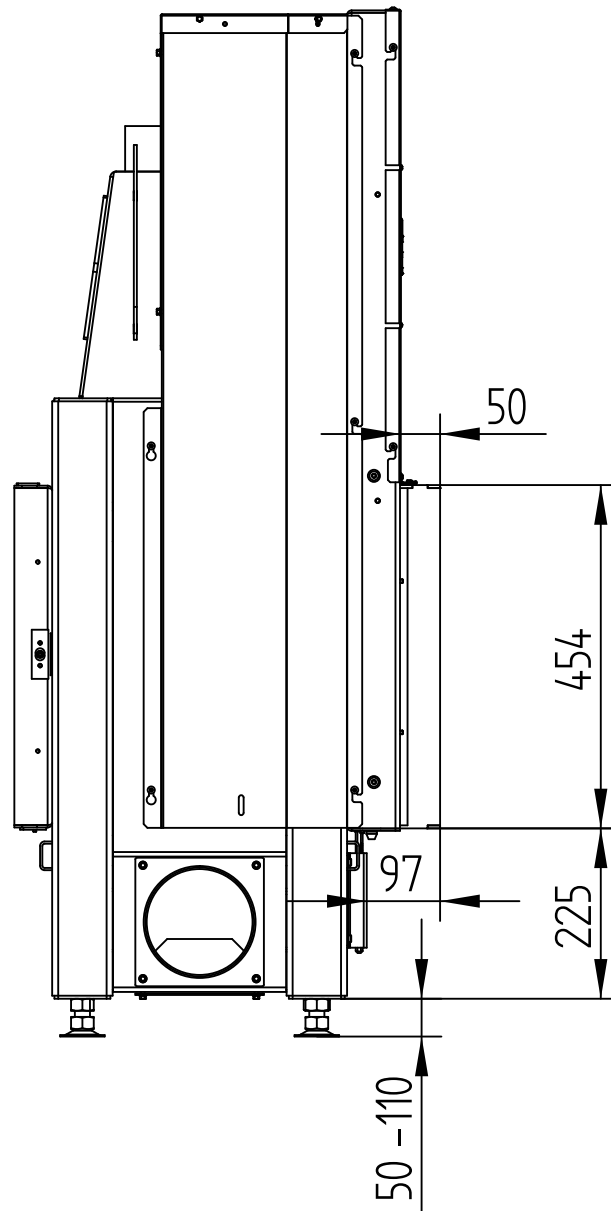
HAKA 89/45T(h)

Technical data
Version 01/2018

BUILD-ON FRAME 4-SIDED, 50 mm

M 1 : 10

Slide-up doors

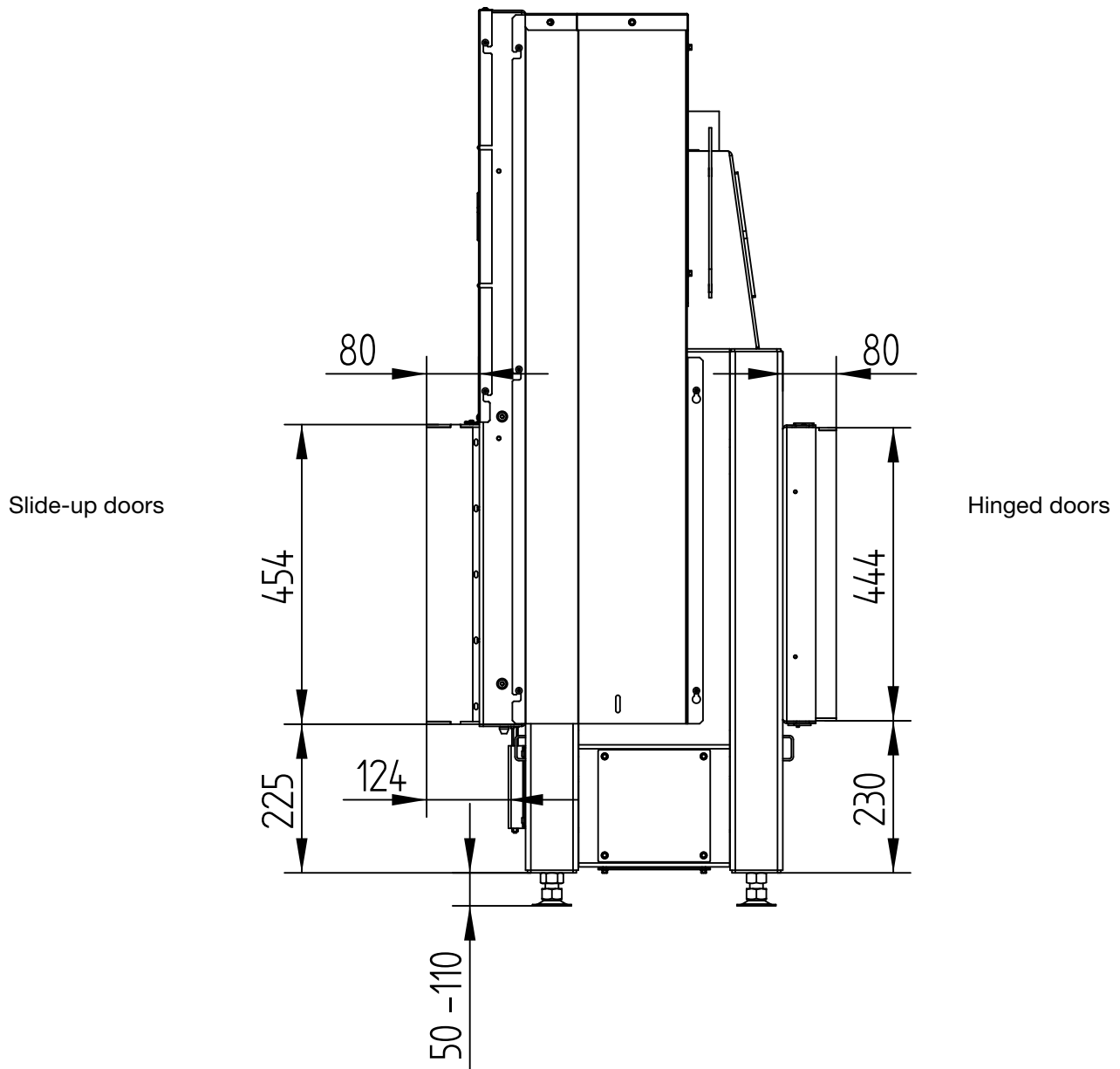


HAKA 89/45T(h)

BUILD-ON FRAME 4-SIDED, 80 mm

Technical data
Version 01/2018

M 1 : 10



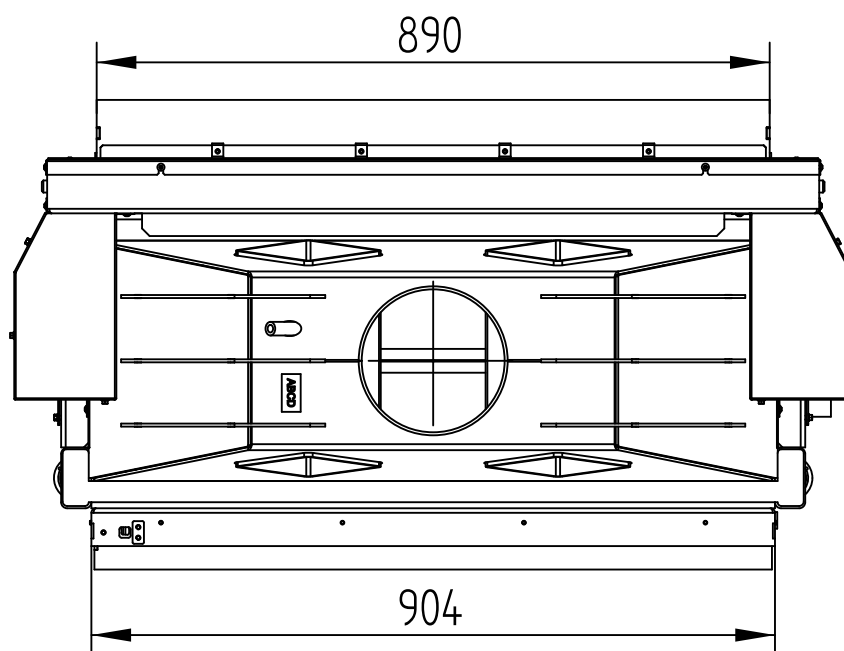
HAKA 89/45T(h)

BUILD-ON FRAME 4-SIDED, 80 mm

Technical data
Version 01/2018

M 1 : 10

Slide-up doors



Hinged doors