

OPERATION WHEN DIRECTLY CONNECTED TO CHIMNEY	Cupola	Hot air exchanger
Tested according to	EN 13229	EN 13229
Nominal heat power	8 kW	12 kW
Efficiency	> 80 %	> 80 %
Consumption of wood	2,4 kg/h	3,7 kg/h
Mass flow of flue gas	8 g/s	11 g/s
Average flue gas temperature on the output	230 °C	275 °C
Heat distribution		
fireplace insert	62–80 %	62–80 %
door glass (single / double)	38 / 20 %	38 / 20 %
Required chimney pressure	12 Pa	12 Pa
Required amount of combustion air	20 m ³ /h	30 m ³ /h
Minimum supply air grating cross-section	900 cm ²	1 200 cm ²
Minimum outgoing air grating cross-section	1 050 cm ²	1 400 cm ²

OPERATION WITH CONNECTED ACCUMULATION MASS	Cupola	Adaptor
Load of wood	5,5 kg	5,5 kg
Total heat output of the burning chamber	21 kW	21 kW
Mass flow of flue gas	20 g/s	20 g/s
Average flue gas temperature on the output ¹⁾	386 °C	392 °C
past 3,6 m of ceramic accumulation system KMS 300 ²⁾	183 °C	–
past 5 pcs of accumulation rings KAM + termination ring	–	229 °C
Heat distribution		
fireplace insert	40 %	35 %
door glass (single / double)	38 / 20 %	38 / 20 %
adjoining accumulation mass	22–40 %	30–45 %
Required chimney pressure	12 Pa	12 Pa
Minimum radiant area ³⁾	ca. 5 m ²	ca. 5 m ²
Required amount of combustion air	60 m ³ /h	60 m ³ /h

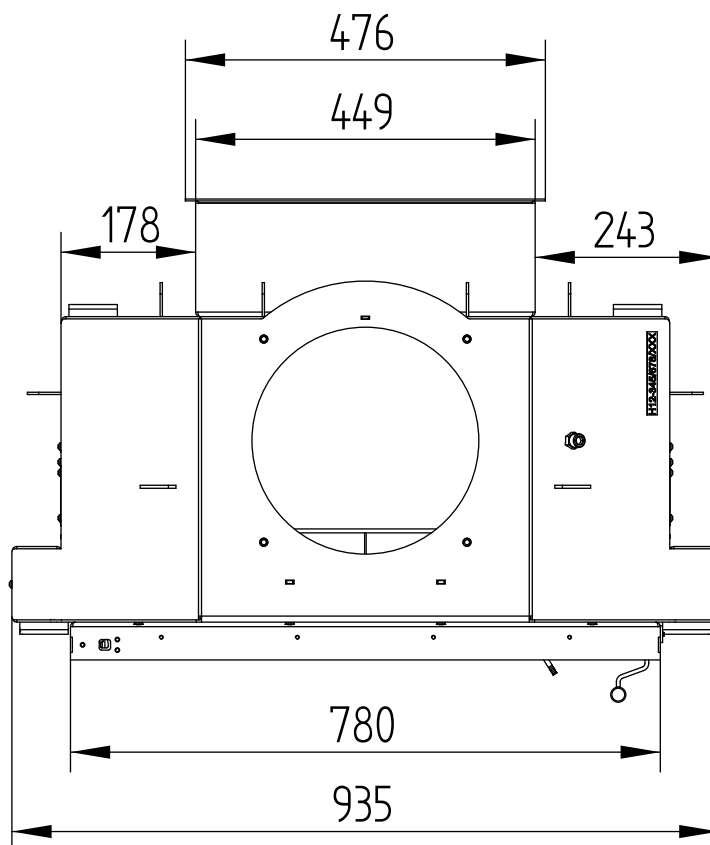
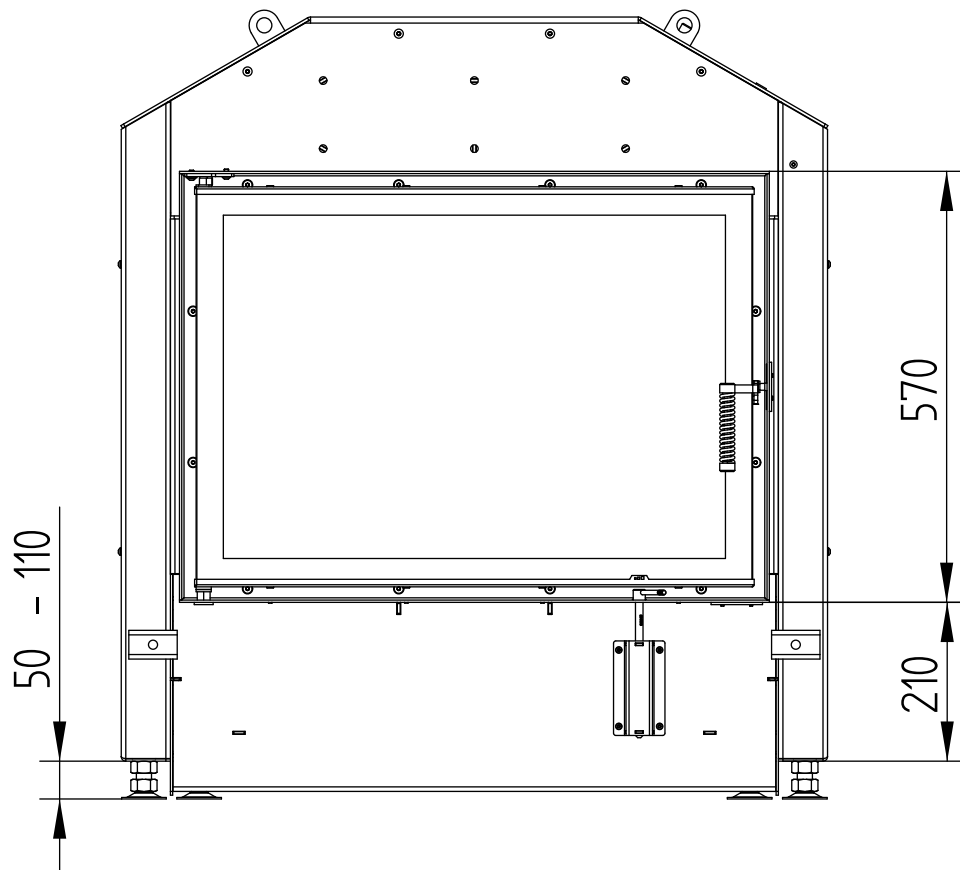
GENERAL TECHNICAL INFORMATION	
Combustion air connection	Ø 125 mm
Total weight / lining weight	ca. 275 / 113 kg
Use in non-ventilated accumulation builds according to craft rules	suitable
Meets values	BlmSchV (Stufe2), 15a BVG

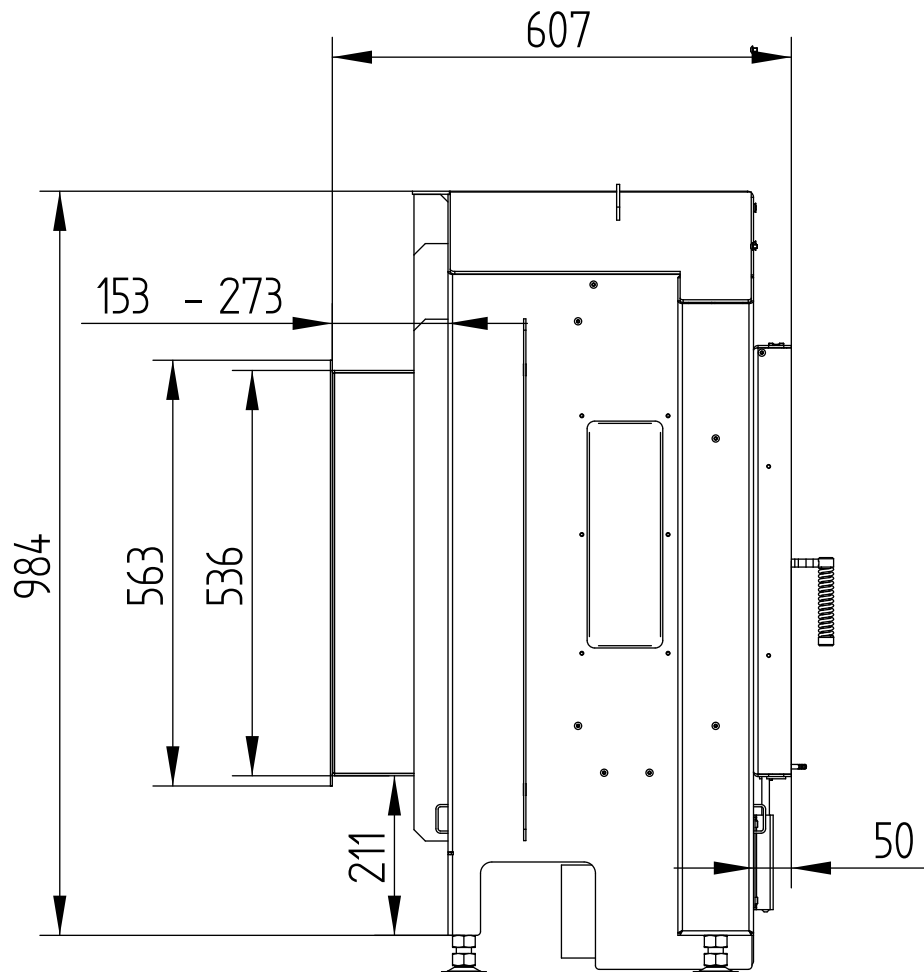
- 1) The Hoxter products are available in the Austrian stove-calculation program for evaluation of firebrick accumulation systems.
- 2) Only a sample calculation! For accurate results is evaluation of each system in the KMS-calculation program from the Ortner company necessary.
- 3) Depends on accumulation period and material characteristics and its thickness. Calculated with heat emission of the radiant area ca. 500 W/m².hr

HAKA 78/57a

Technical data
Version 01/2018

M 1 : 10



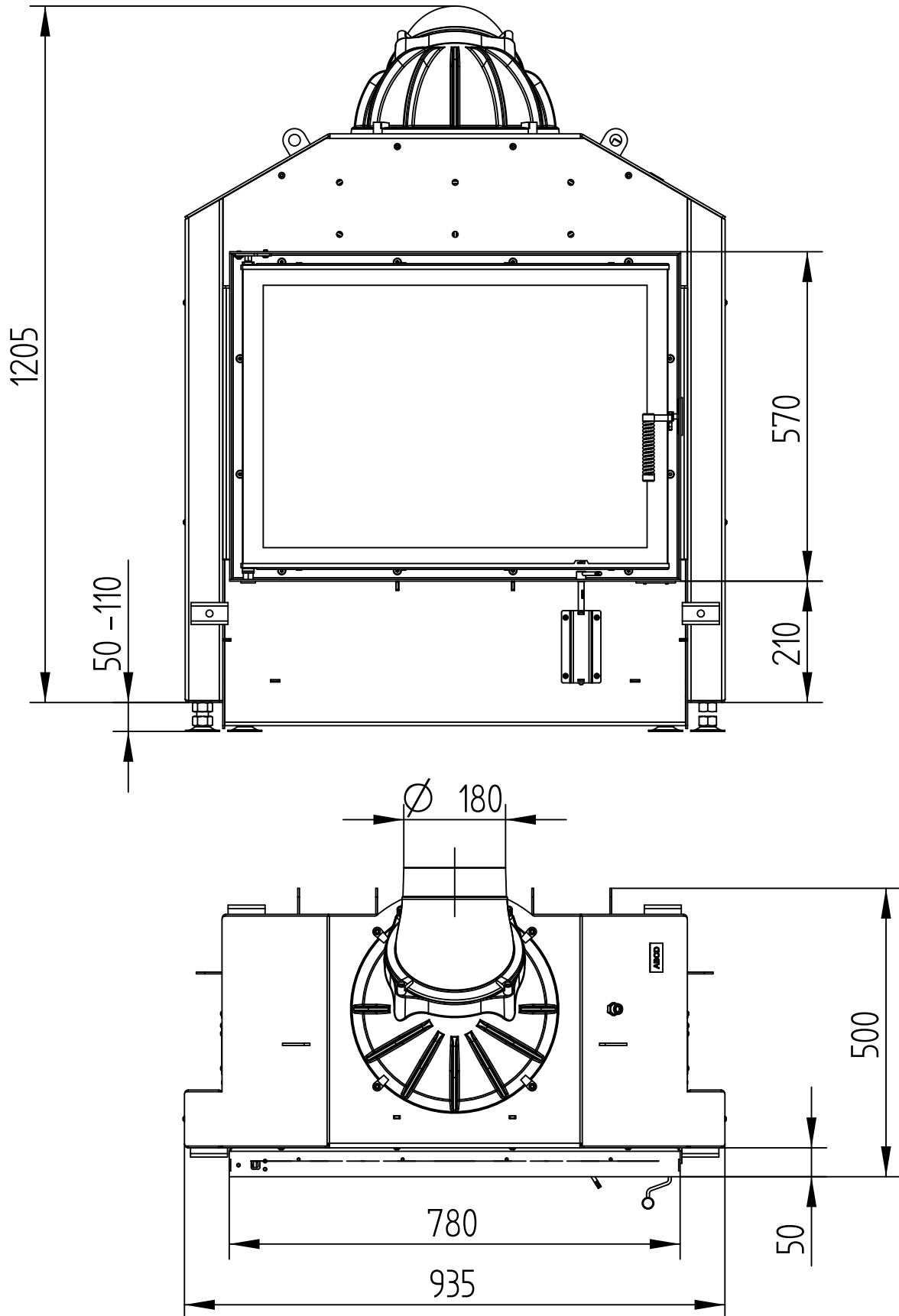


HAKA 78/57a

WITH CUPOLA

Technical data
Version 01/2018

M 1 : 10

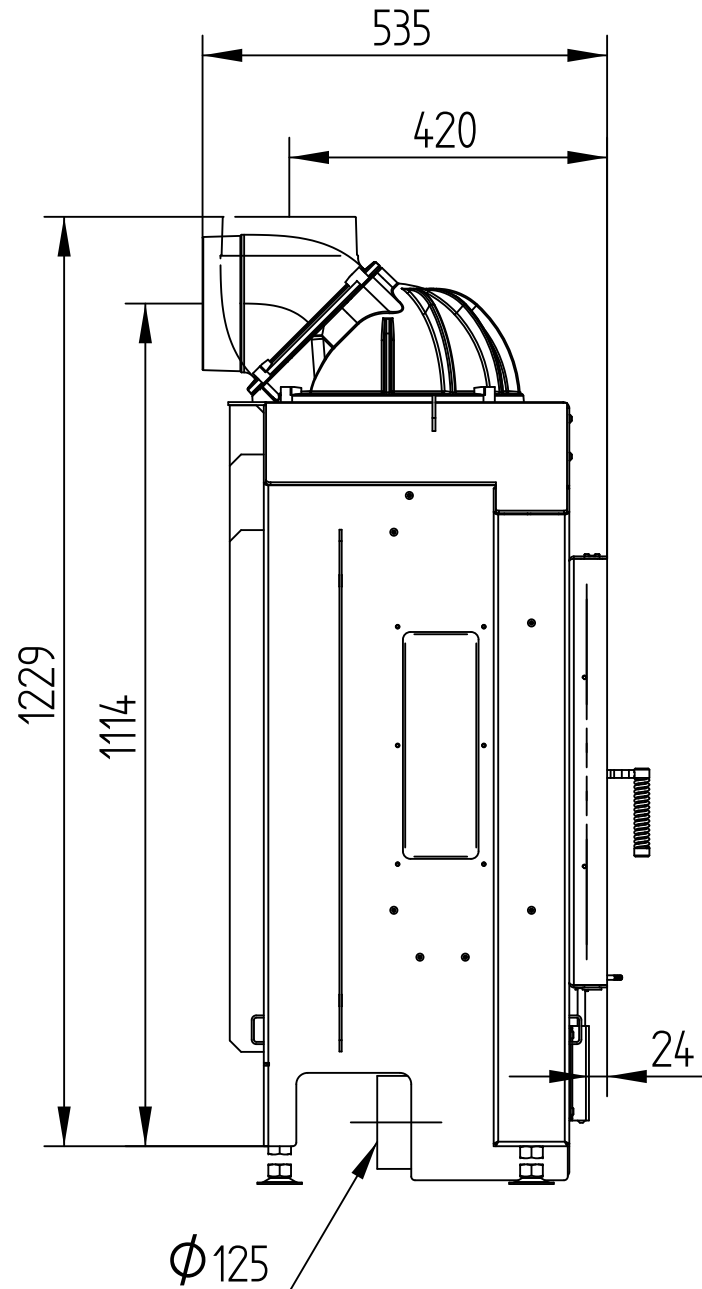


HAKA 78/57a

WITH CUPOLA

Technical data
Version 01/2018

M 1 : 10

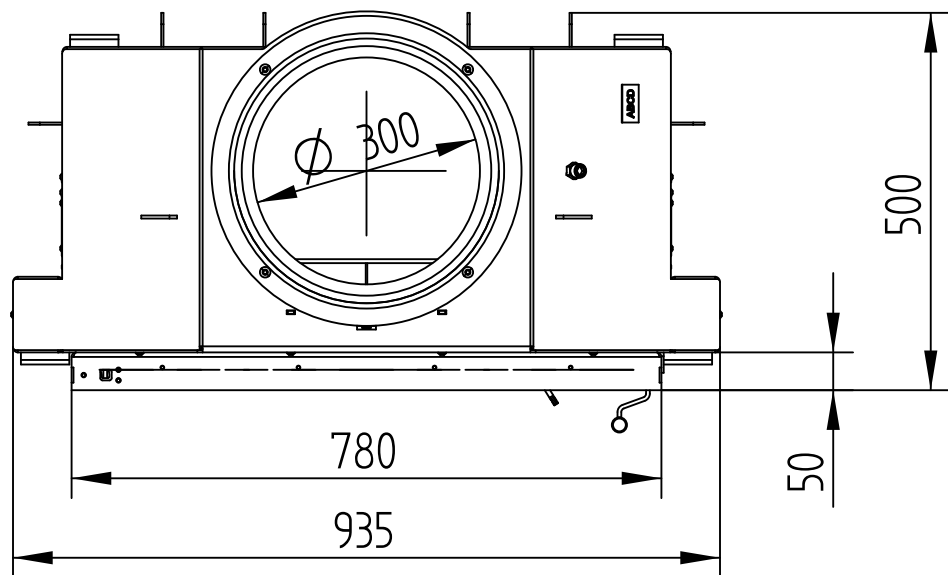
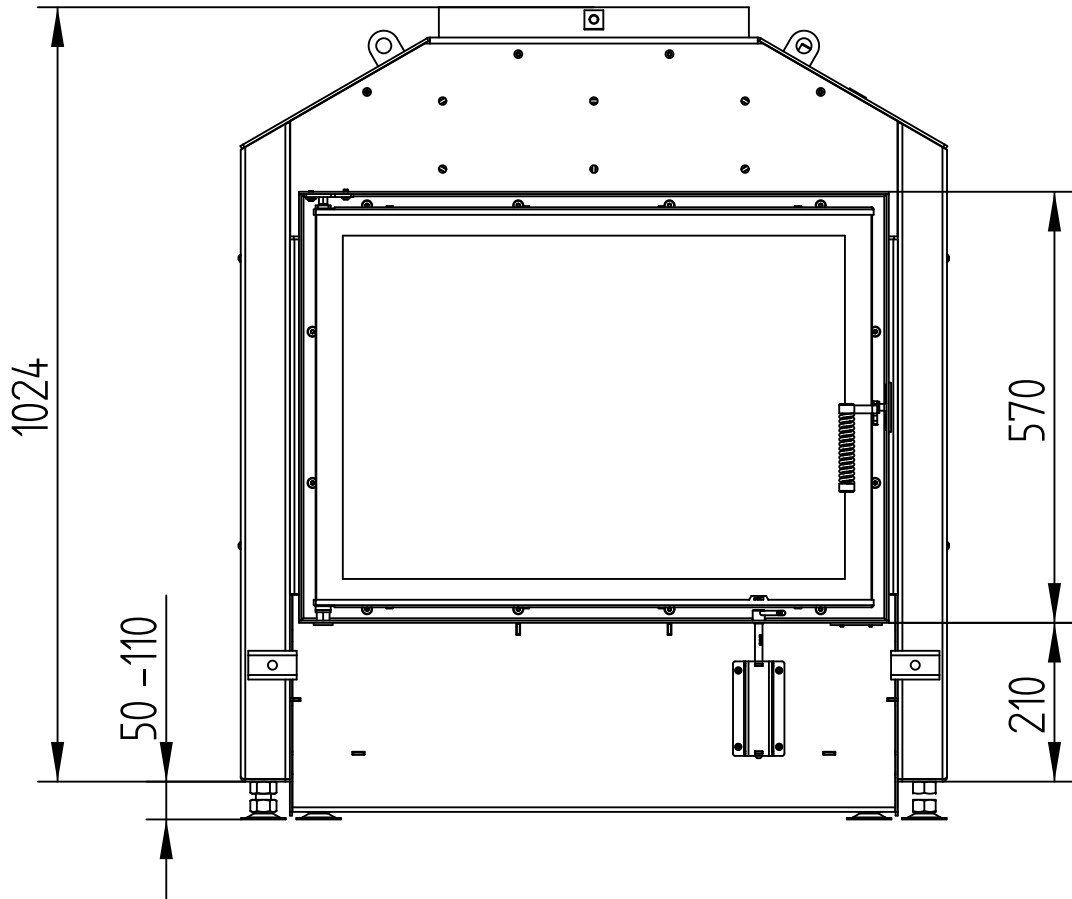


HAKA 78/57a

Technical data
Version 01/2018

WITH ADAPTOR

M 1 : 10

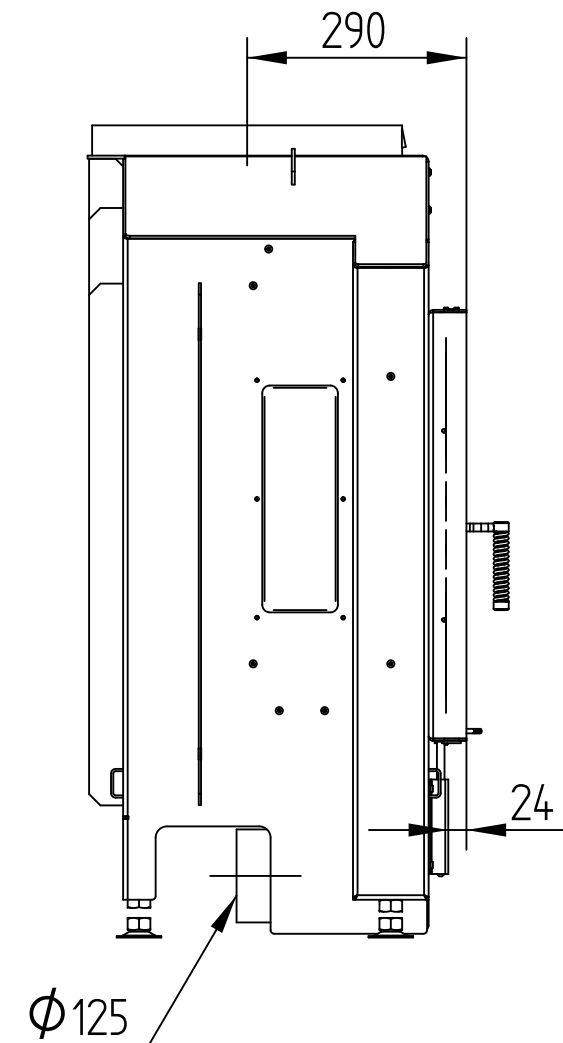


HAKA 78/57a

WITH ADAPTOR

Technical data
Version 01/2018

M 1 : 10

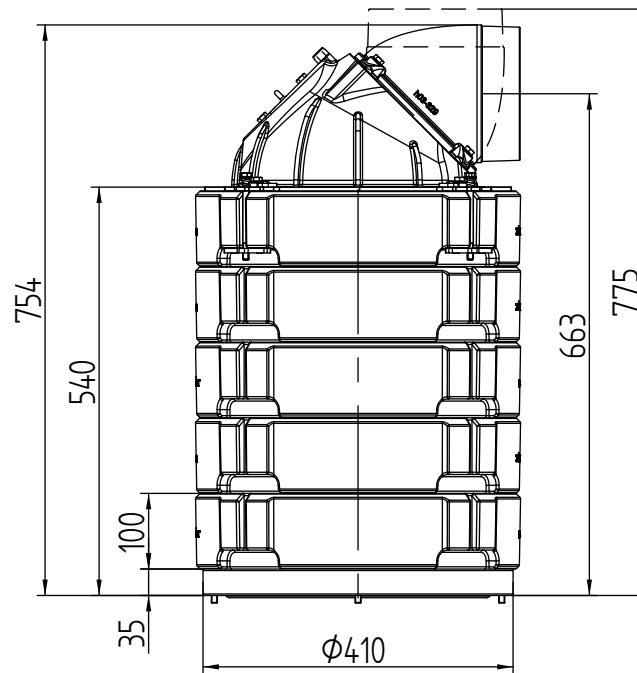


HAKA 78/57a

ACCUMULATION SET

Technical data
Version 01/2018

M 1 : 10

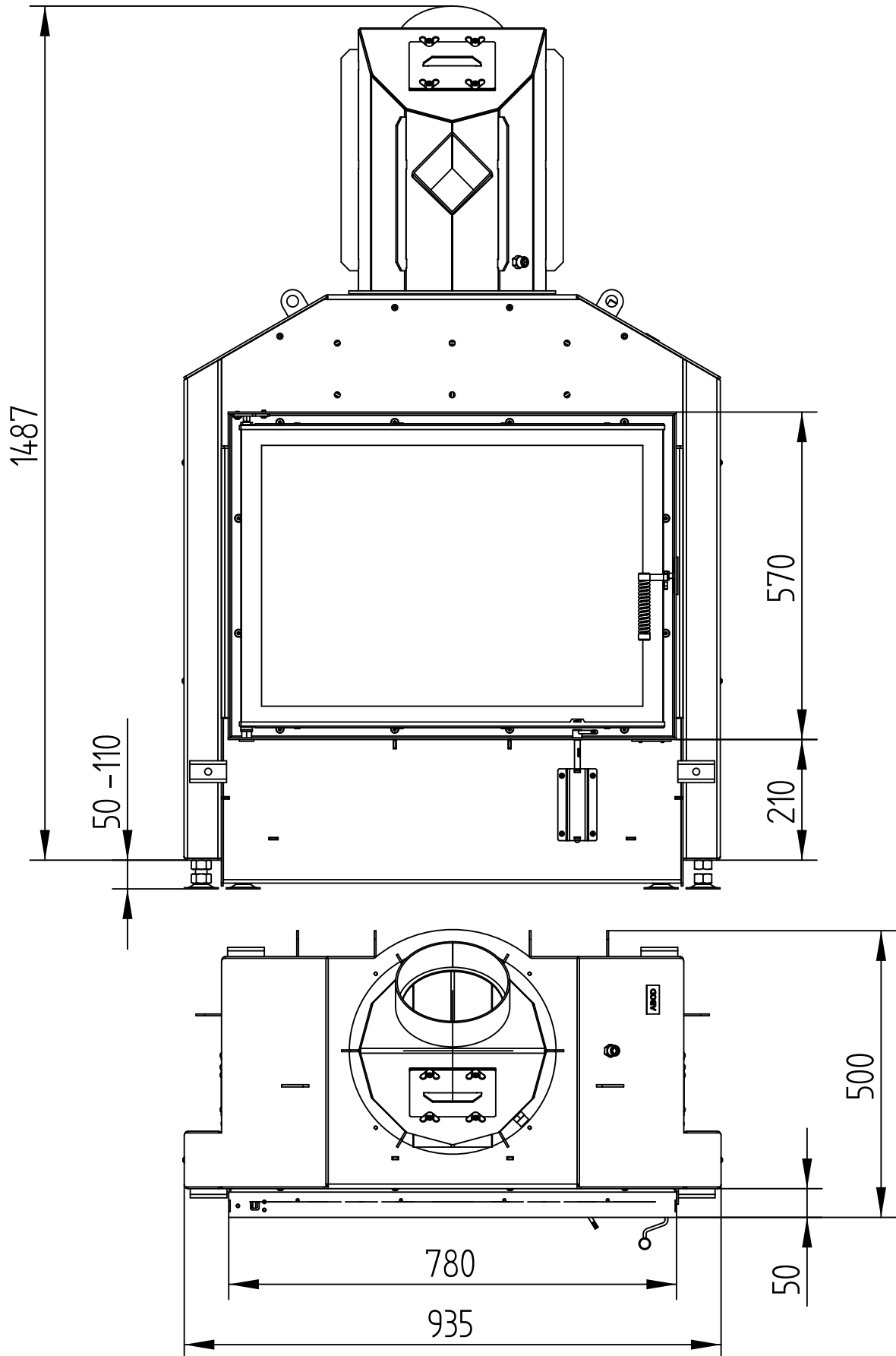


HAKA 78/57a

Technical data
Version 01/2018

WITH HOT AIR EXCHANGER

M 1 : 10

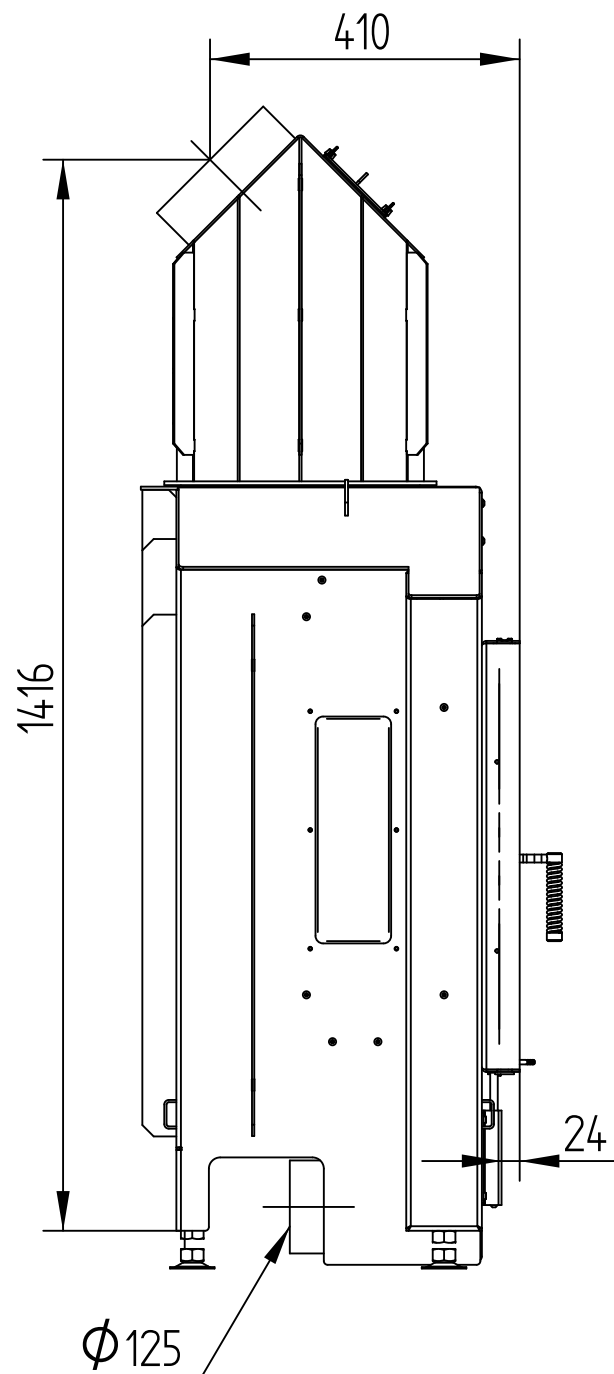


HAKA 78/57a

WITH HOT AIR EXCHANGER

Technical data
Version 01/2018

M 1 : 10

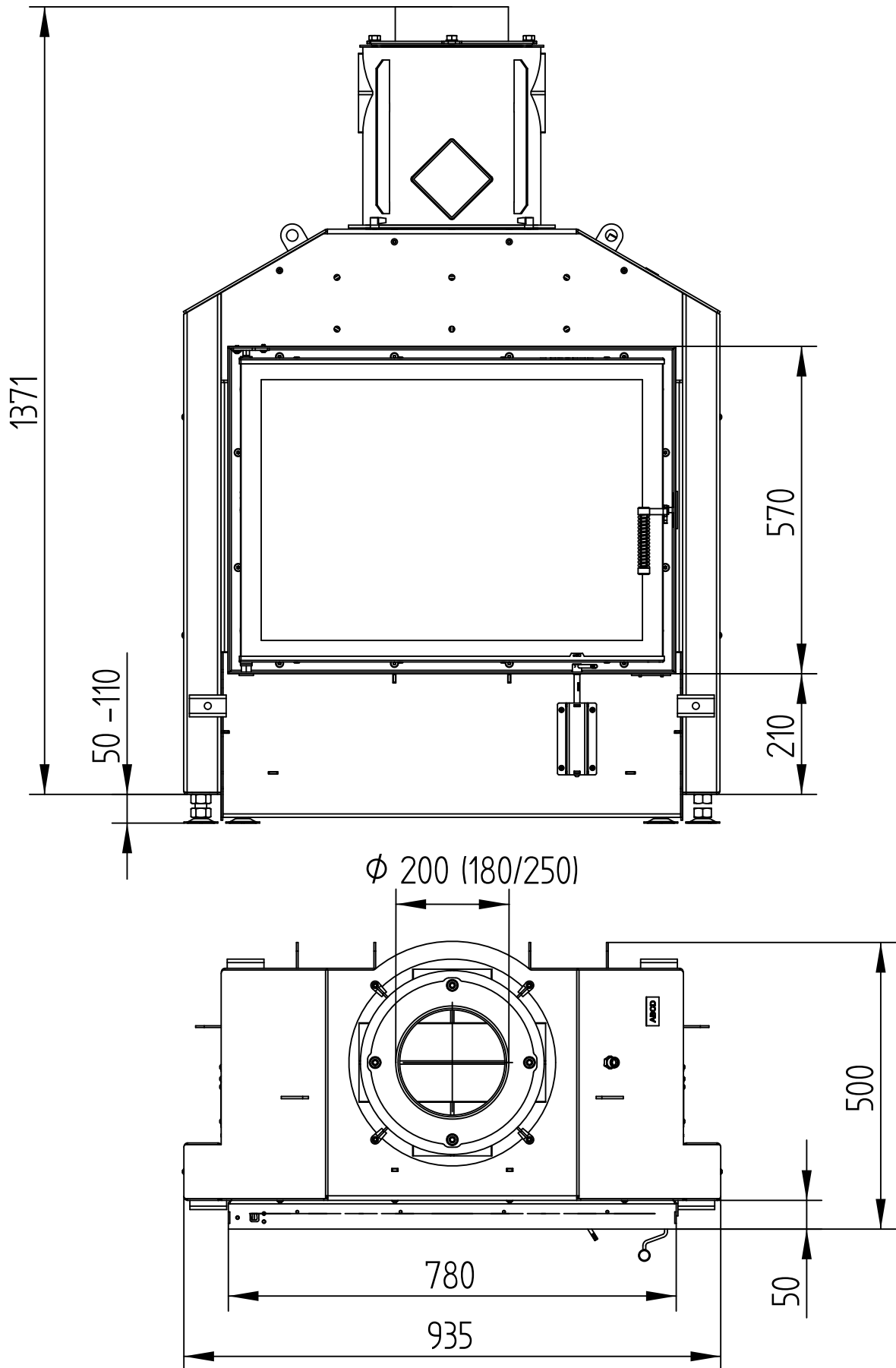


HAKA 78/57a

Technical data
Version 01/2018

WITH HOT AIR EXCHANGER VERTICAL

M 1 : 10

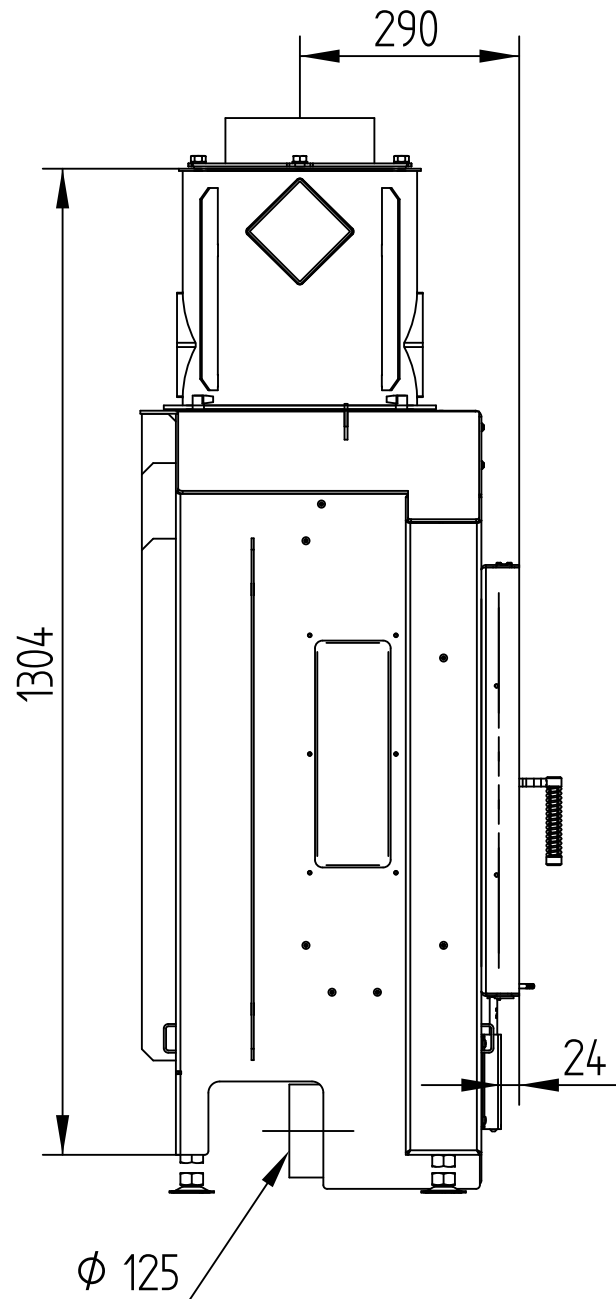


HAKA 78/57a

WITH HOT AIR EXCHANGER VERTICAL

Technical data
Version 01/2018

M 1 : 10

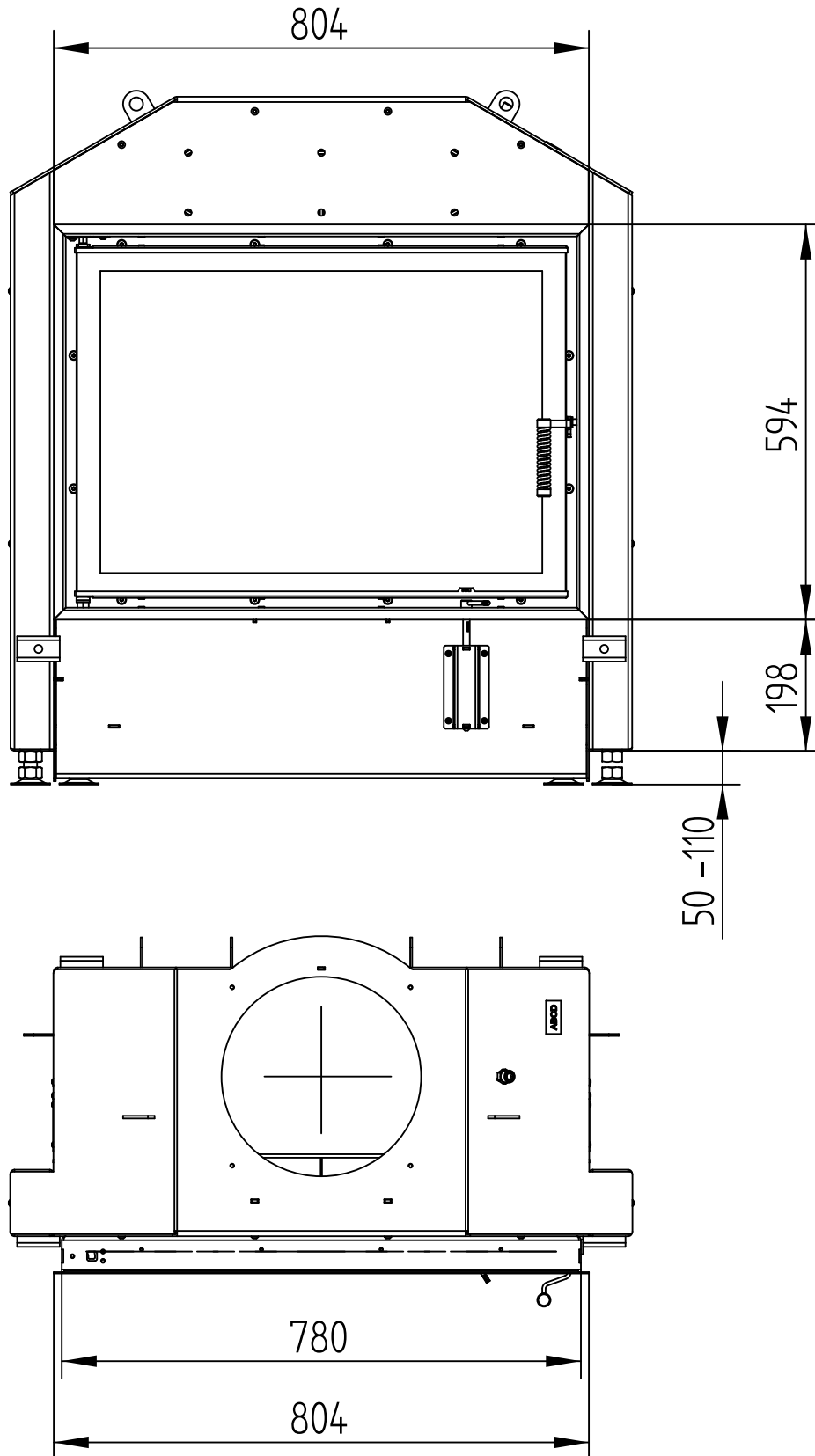


HAKA 78/57a

Technical data
Version 01/2018

COVER FRAME 4-SIDED 1 x 90°, 50 mm

M 1 : 10

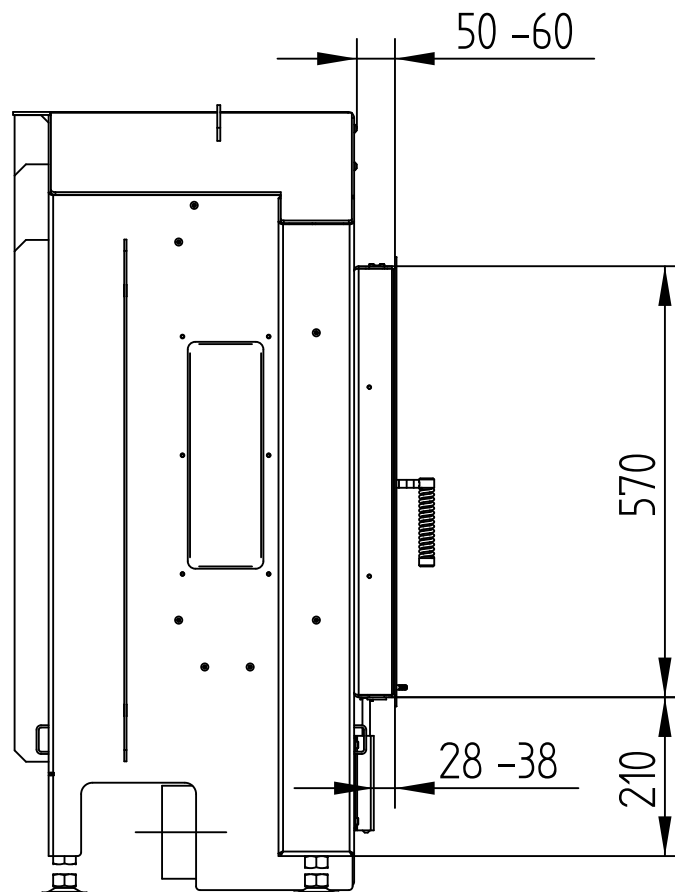


HAKA 78/57a

COVER FRAME 4-SIDED 1 x 90°, 50 mm

Technical data
Version 01/2018

M 1 : 10

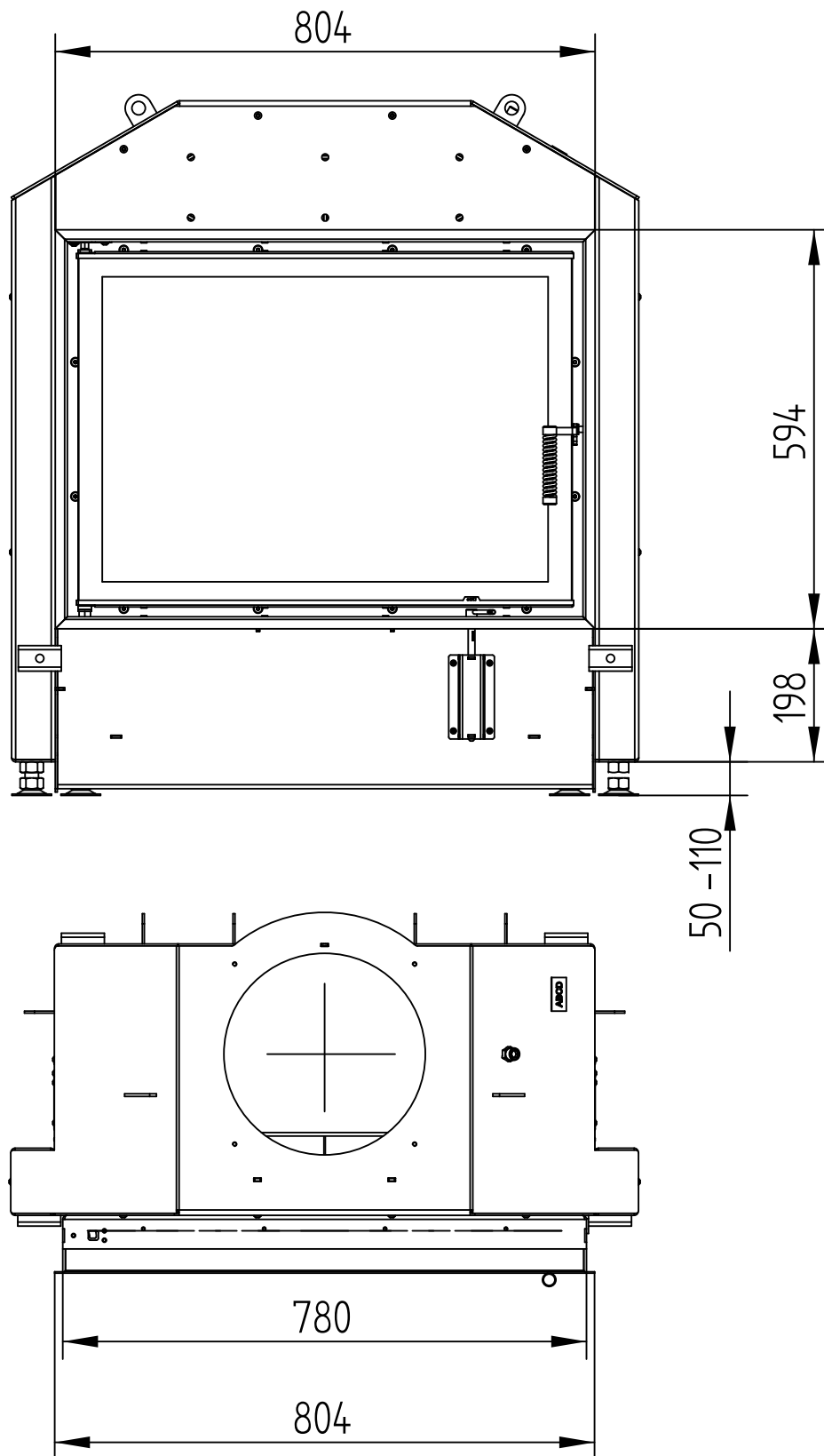


HAKA 78/57a

Technical data
Version 01/2018

COVER FRAME 4-SIDED 1 x 90°, 80 mm

M 1 : 10

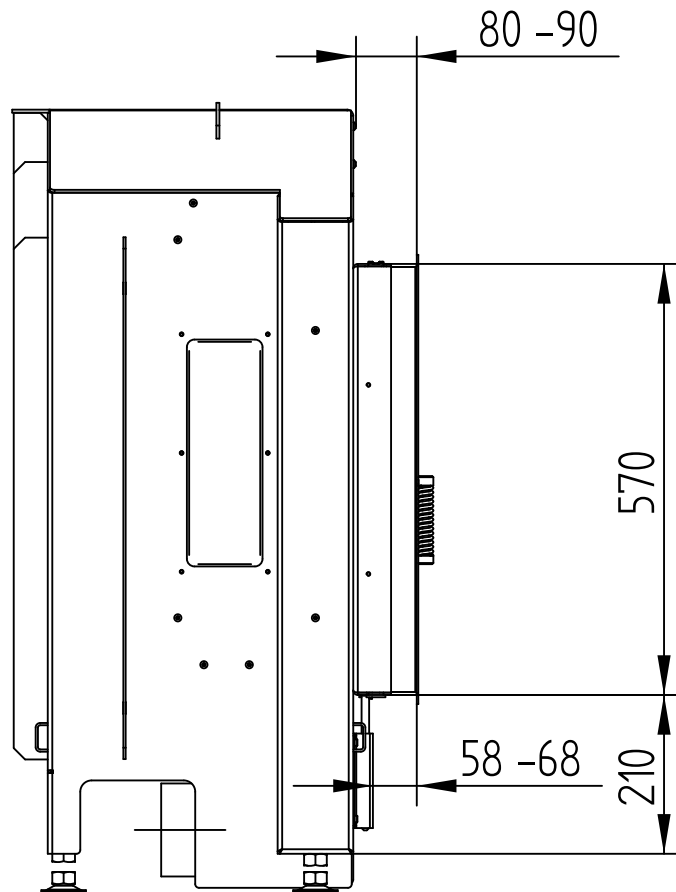


HAKA 78/57a

COVER FRAME 4-SIDED 1 x 90°, 80 mm

Technical data
Version 01/2018

M 1 : 10



HAKA 78/57a

BUILD-ON FRAME 4-SIDED, 80 mm

Technical data
Version 01/2018

M 1 : 10

