

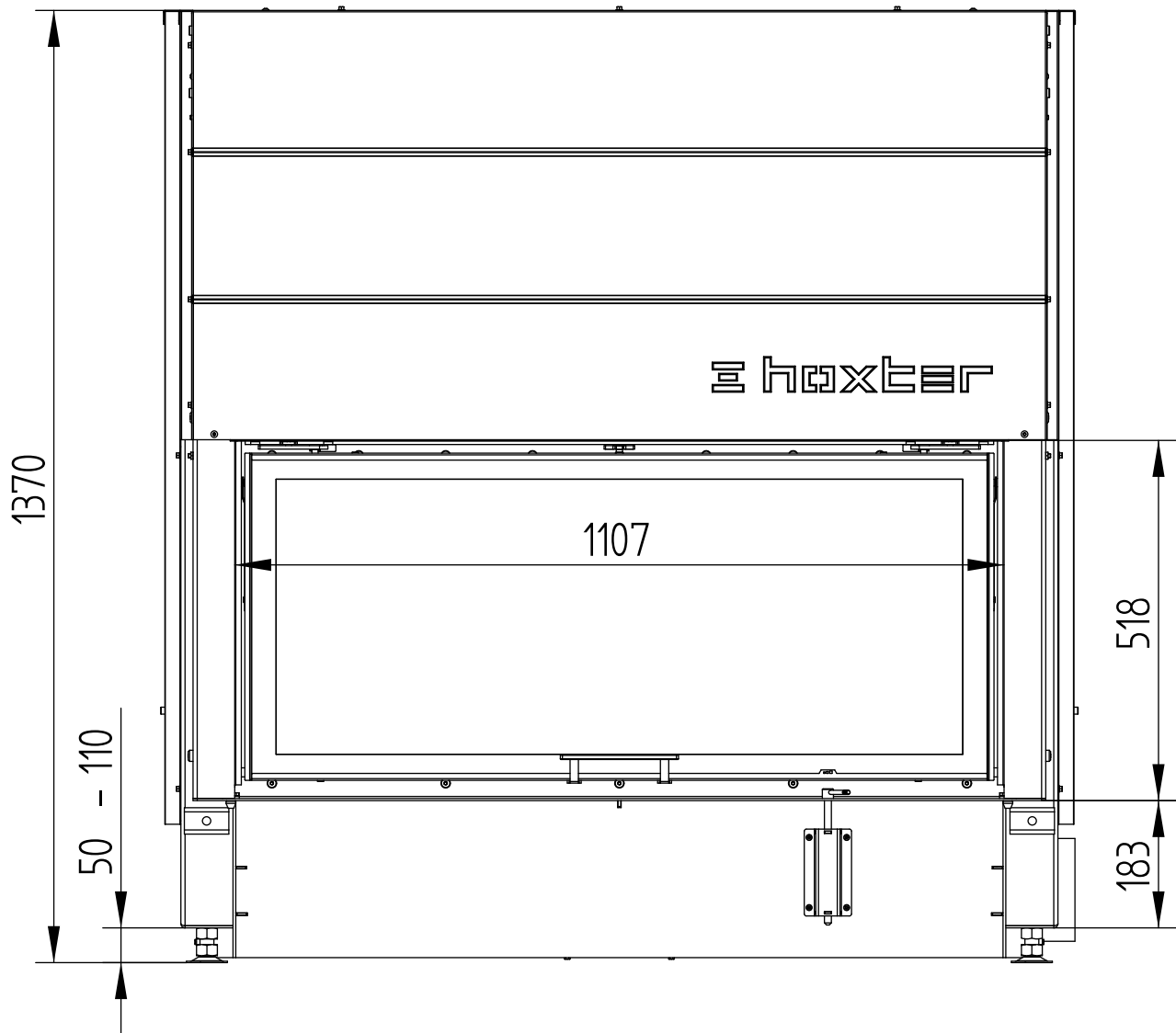
| OPERATION WHEN DIRECTLY CONNECTED TO CHIMNEY | |
|--|-----------------------|
| Tested according to | EN 13229 |
| Nominal heat power | 14 kW |
| Efficiency | > 80 % |
| Consumption of wood | 4,1 kg/h |
| Mass flow of flue gas | 11 g/s |
| Average flue gas temperature on the output | 263 °C |
| Heat distribution | |
| fireplace insert | 51–59 % |
| door glass (single / double) | 49 / 41 % |
| Required chimney pressure | 12 Pa |
| Required amount of combustion air | 40 m ³ /h |
| Minimum supply air grating cross-section | 1 200 cm ² |
| Minimum outgoing air grating cross-section | 1 400 cm ² |

| GENERAL TECHNICAL INFORMATION | |
|--|---------------------------|
| Combustion air connection | Ø 150 mm |
| Total weight / lining weight | ca. 420 / 100 kg |
| Use in non-ventilated accumulation builds according to craft rules | suitable |
| Meets values | BlmSchV (Stufe2), 15a BVG |

HAKA 110/51Th

Technical data
Version 01/2018

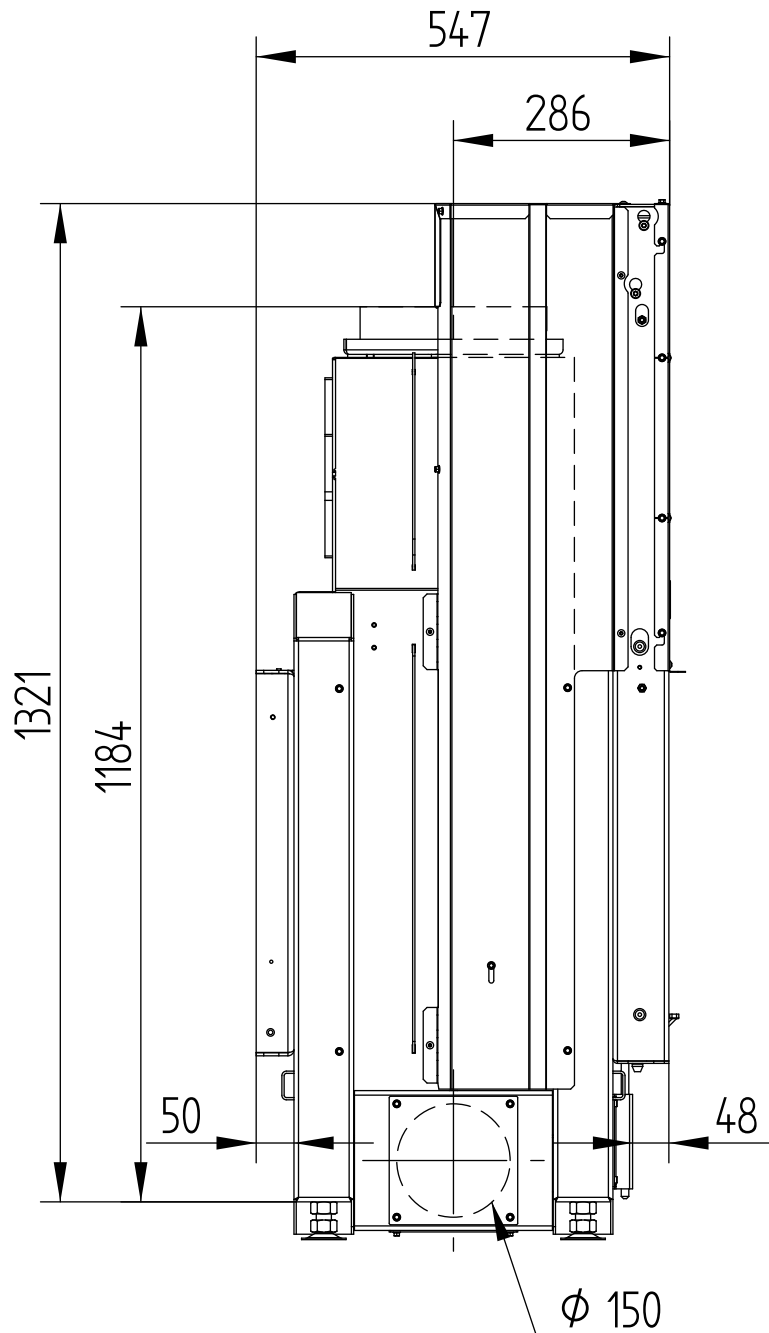
M 1 : 10



HAKA 110/51Th

Technical data
Version 01/2018

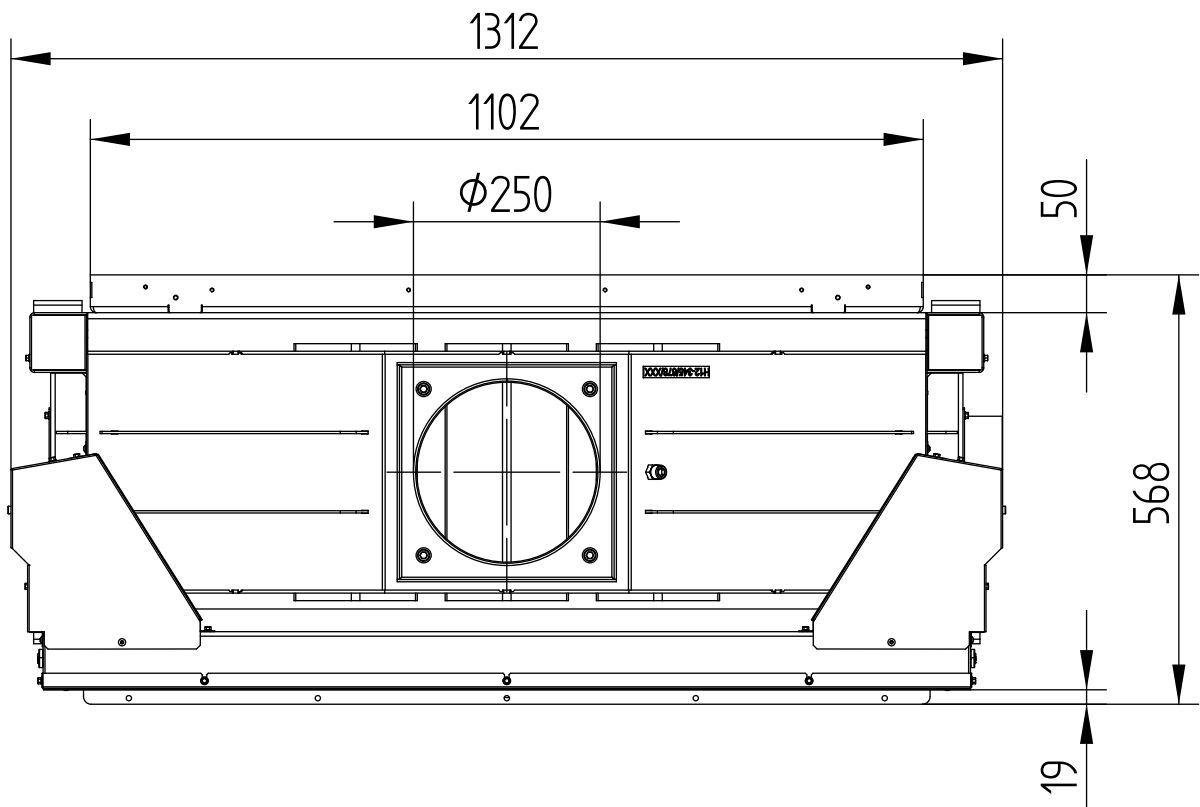
M 1 : 10



HAKA 110/51Th

Technical data
Version 01/2018

M 1 : 10



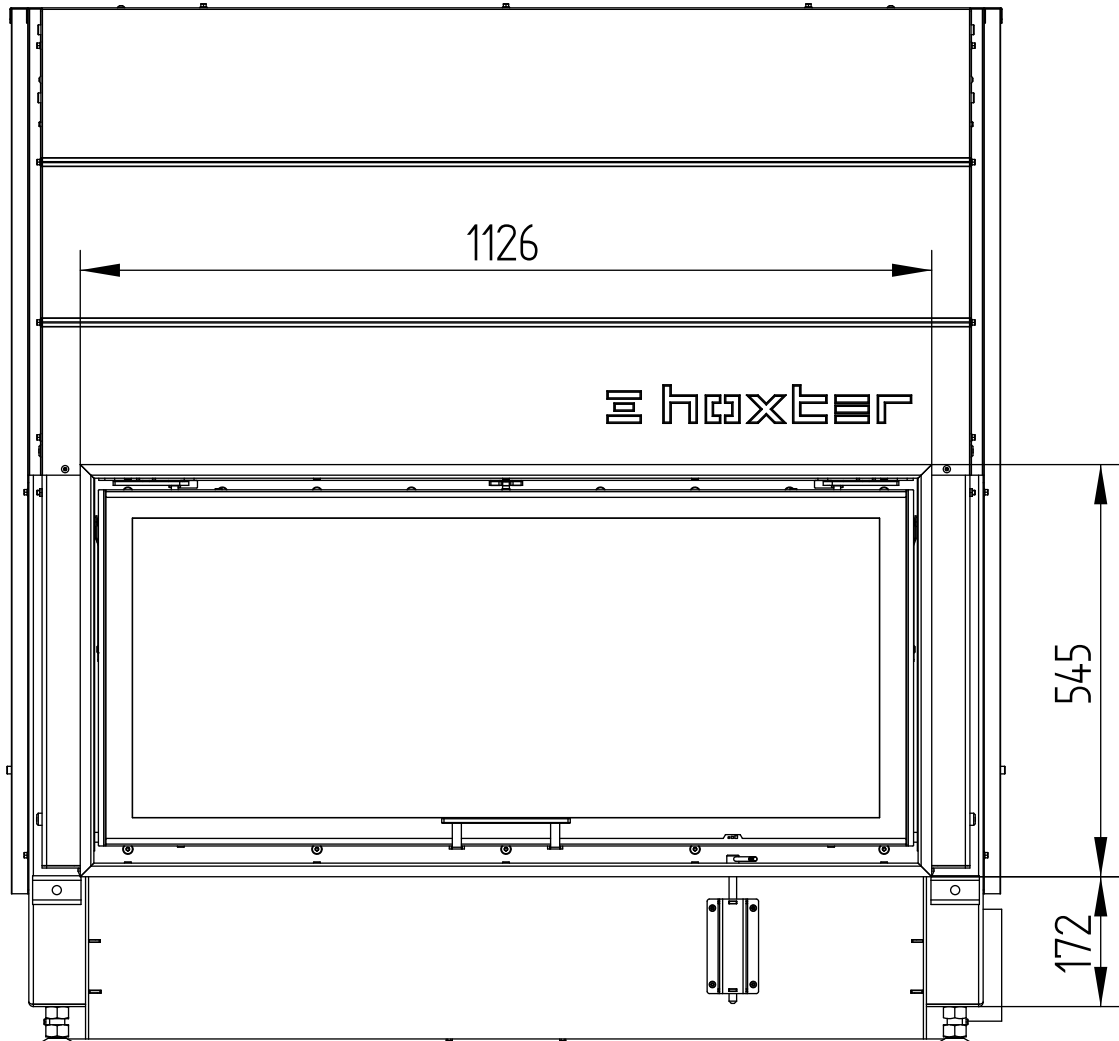
HAKA 110/51Th

Technical data
Version 01/2018

COVER FRAME 4-SIDED 1 x 90°, 50 mm

M 1 : 10

Slide-up door



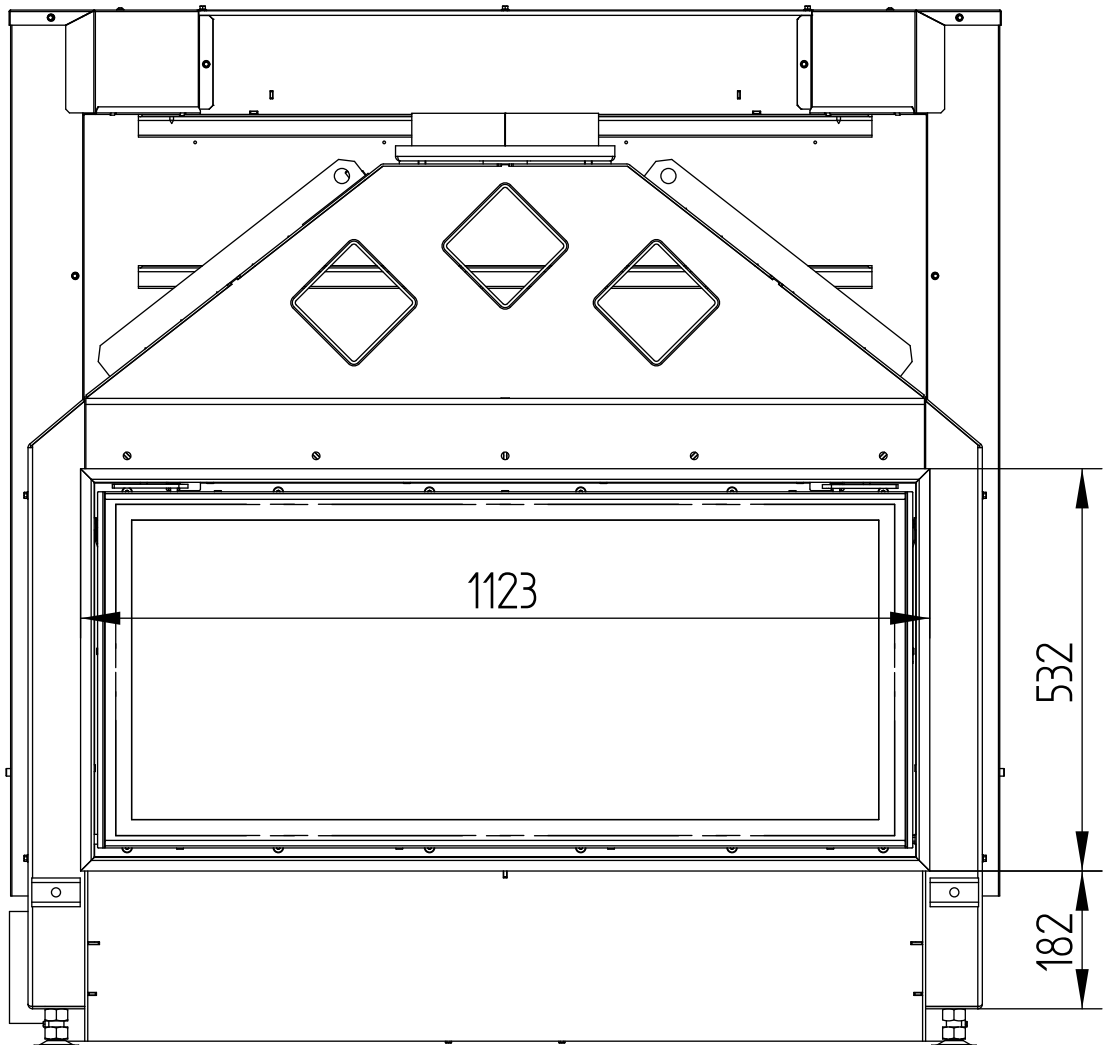
HAKA 110/51Th

Technical data
Version 01/2018

COVER FRAME 4-SIDED 1 x 90°, 50 mm

M 1 : 10

Tilt door

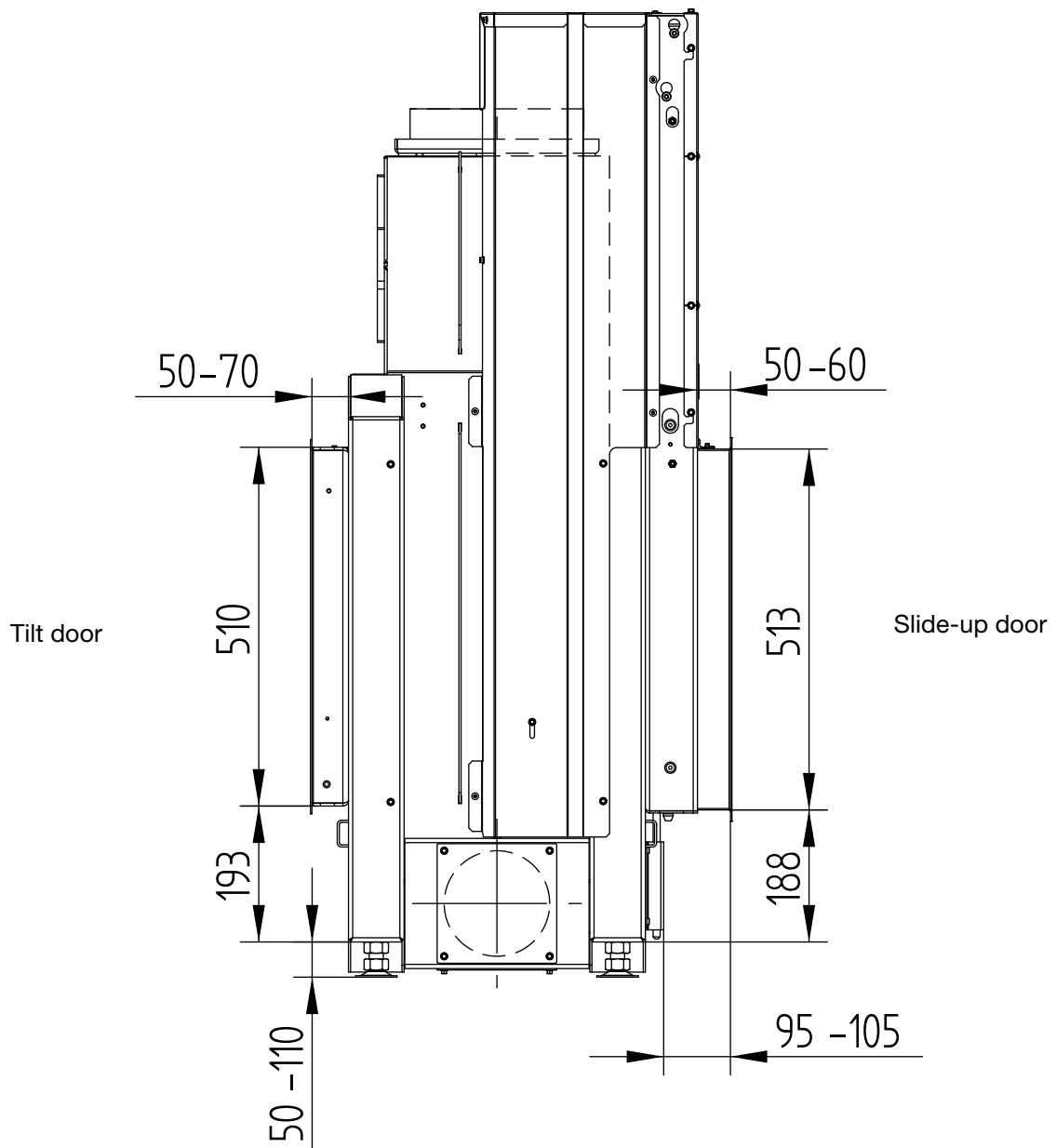


HAKA 110/51Th

Technical data
Version 01/2018

COVER FRAME 4-SIDED 1 x 90°, 50 mm

M 1 : 10

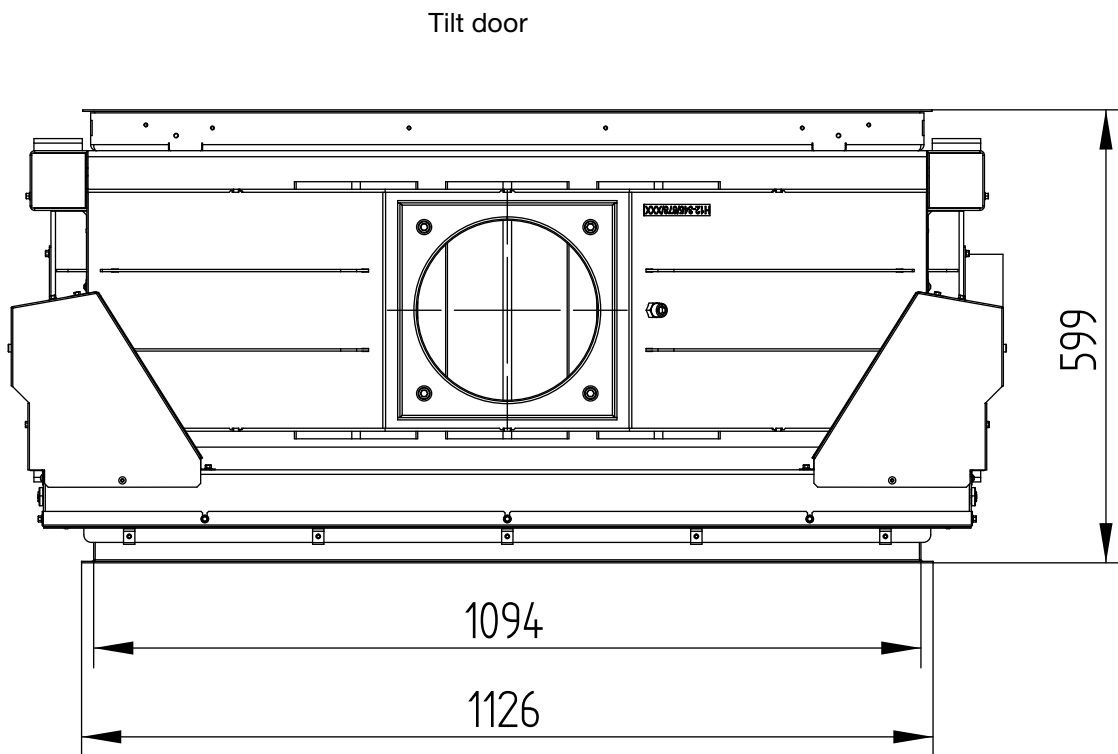


HAKA 110/51Th

Technical data
Version 01/2018

COVER FRAME 4-SIDED 1 x 90°, 50 mm

M 1 : 10

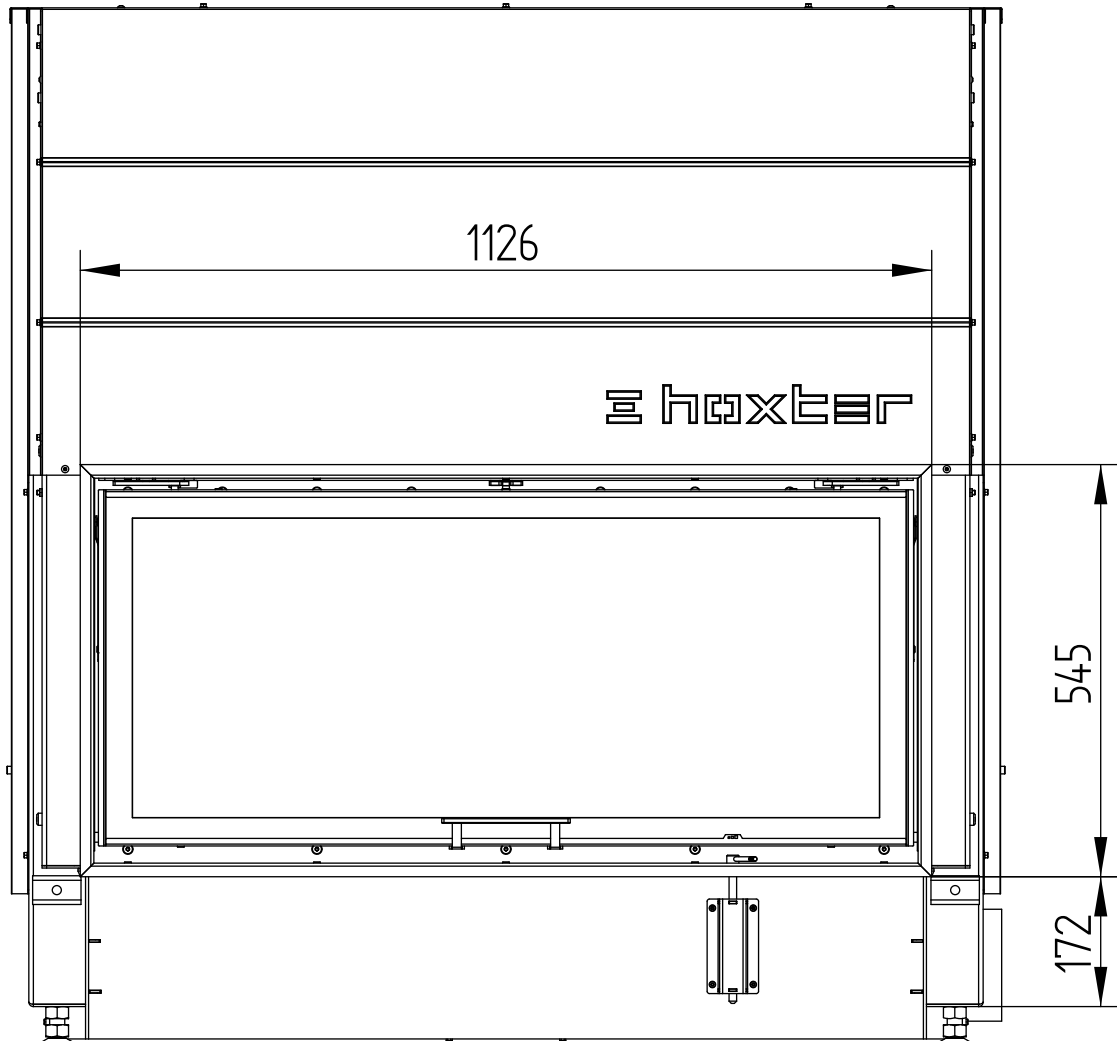


HAKA 110/51Th

Technical data
Version 01/2018

COVER FRAME 4-SIDED 1 x 90°, 80 mm

M 1 : 10

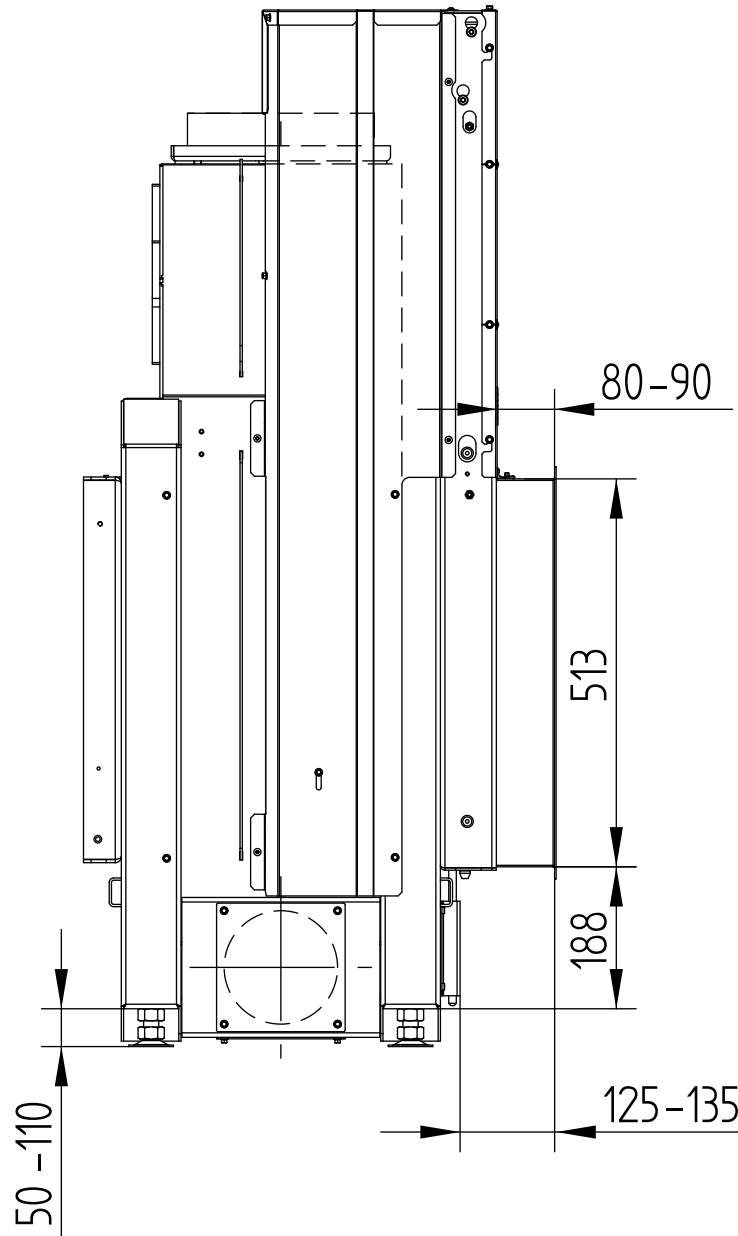


HAKA 110/51Th

COVER FRAME 4-SIDED 1 x 90°, 80 mm

Technical data
Version 01/2018

M 1 : 10

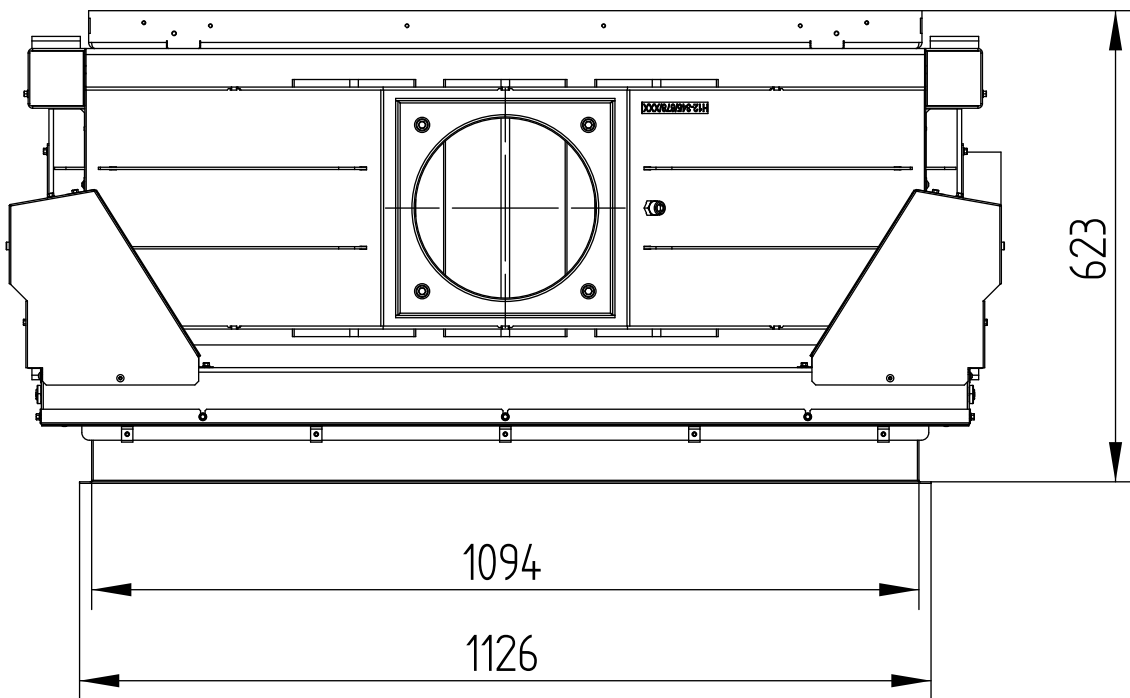


HAKA 110/51Th

Technical data
Version 01/2018

COVER FRAME 4-SIDED 1 x 90°, 80 mm

M 1 : 10

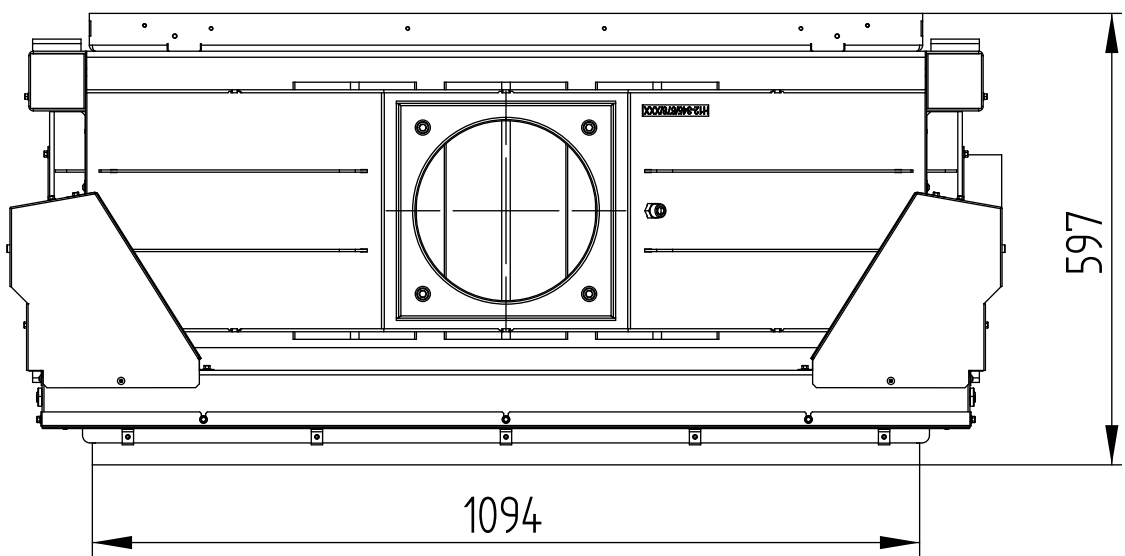
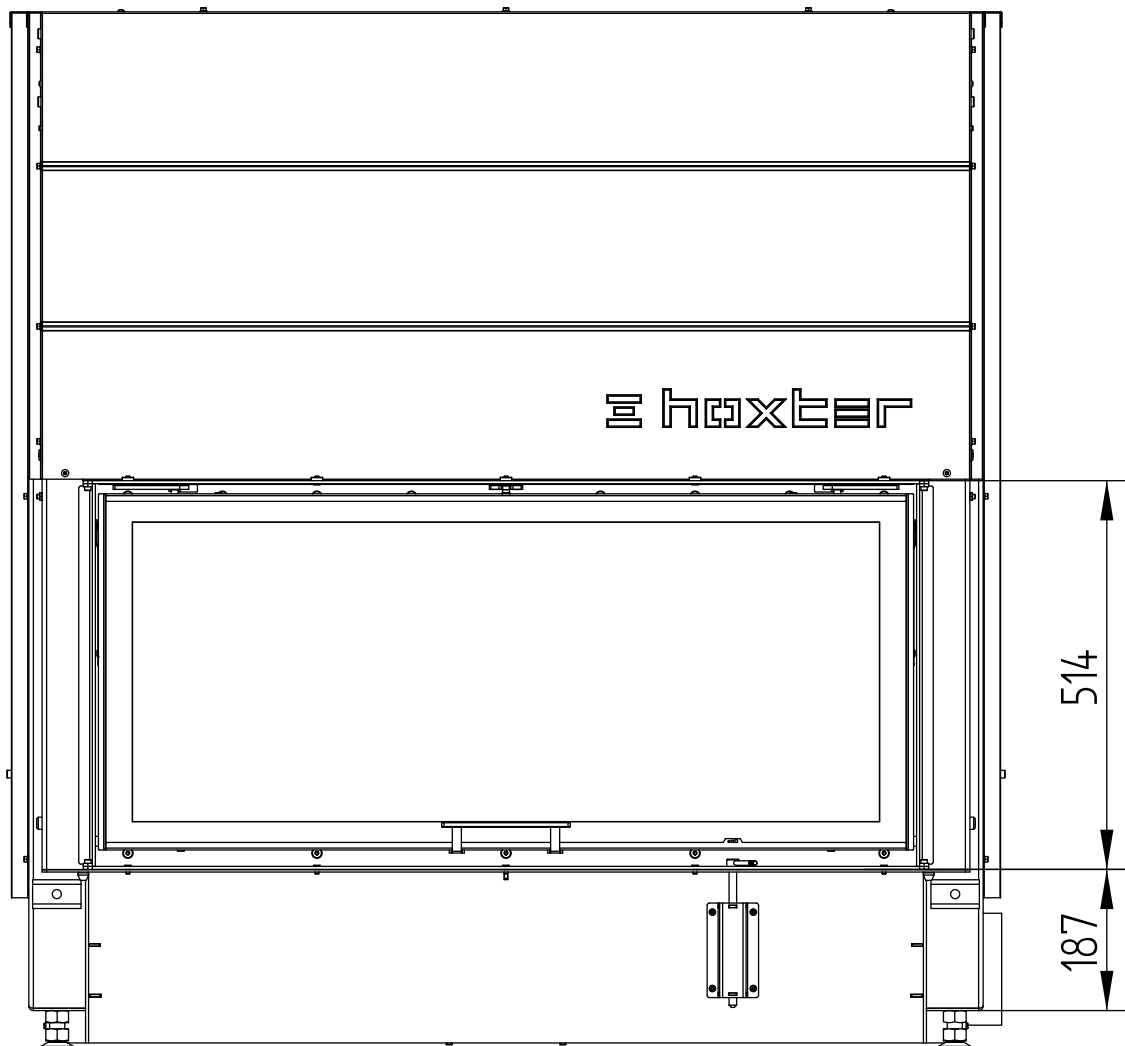


HAKA 110/51Th

Technical data
Version 01/2018

BUILD-ON FRAME 4-SIDED, 50 mm

M 1 : 10

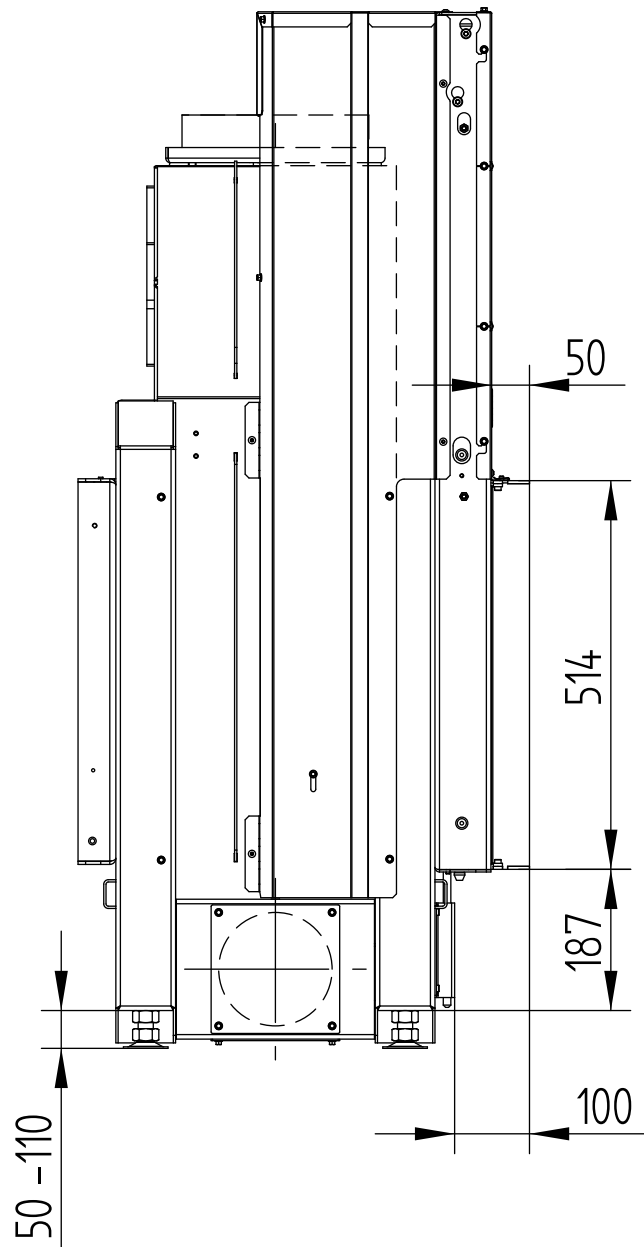


HAKA 110/51Th

BUILD-ON FRAME 4-SIDED, 50 mm

Technical data
Version 01/2018

M 1 : 10

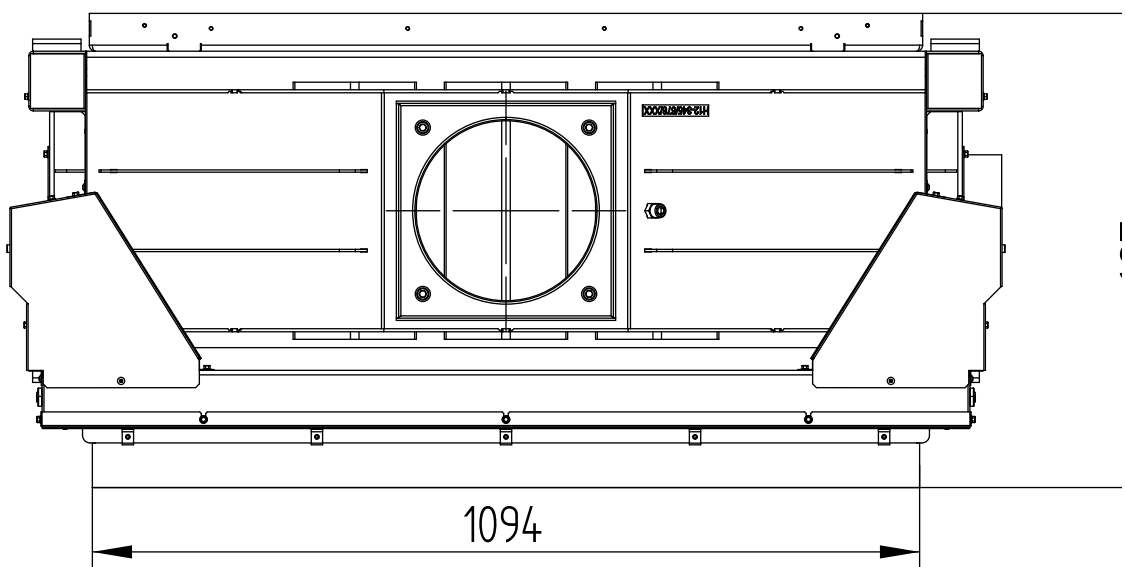
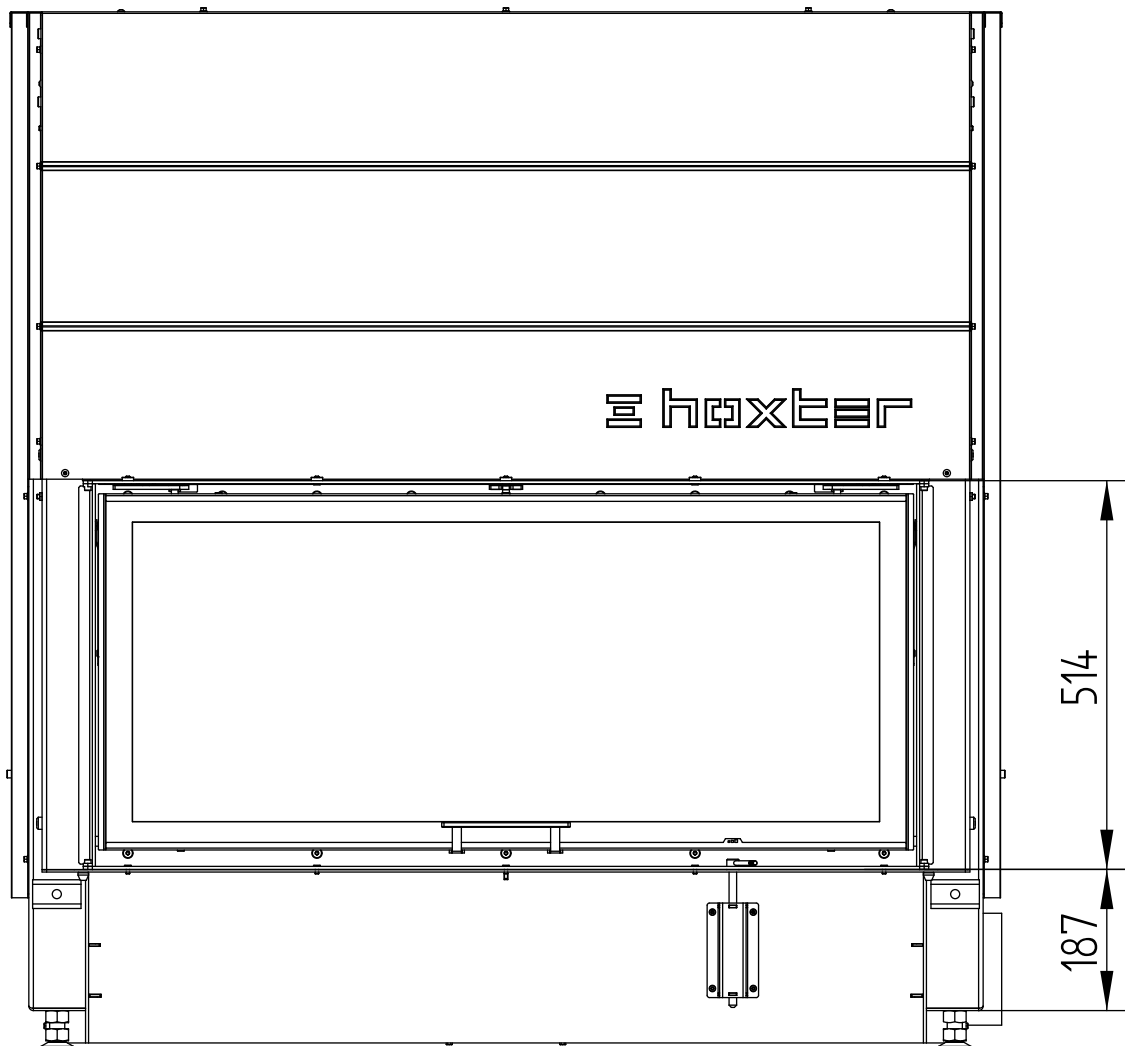


HAKA 110/51Th

Technical data
Version 01/2018

BUILD-ON FRAME 4-SIDED, 80 mm

M 1 : 10



HAKA 110/51Th

BUILD-ON FRAME 4-SIDED, 80 mm

Technical data
Version 01/2018

M 1 : 10

