

Sauna heater Ecomat

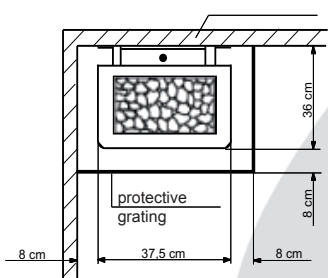
For the family sauna

Wall heater
with integrated
control

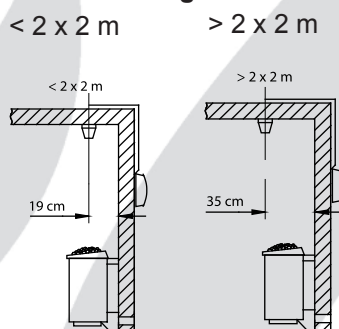
- Outer shell: powder-coated steel sheet glossy-black
- Inner shell: hot-dip aluminium coated sheet
- Rear wall: hot-dip aluminium coated sheet
- Stone basket: bright high-grade steel
- Electric-connection-box: bright high-grade steel
- Stone filling: 15 kg incl.
- Built-in electronic control with sensor and safety temperature limiter (142°C). Temperature regulation range 40°C - 110°C.
- Heating time limiter 4 hrs.



Minimum clearcace



Sensormounting in cabins

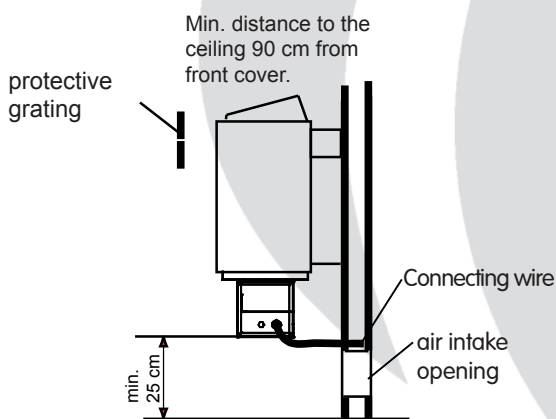
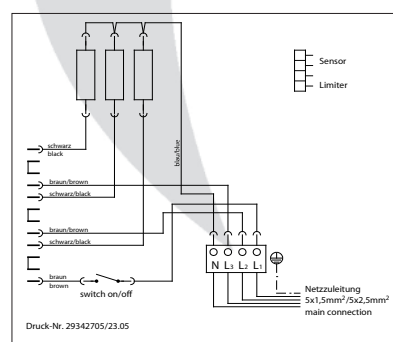


Made in Germany



Wiring diagram

8 kW = 3 x 2660 W
6 kW = 3 x 2000 W



Art.-No.	Outer shell	Capacity acc. DIN	Electrical Connection	Fuse control unit in A	Temperature regulation range	Heater dimensions H/W/D cm	For cabin size	Minimum dimensions of air intake and exhaust vents	Weight without stones without package	Stone filling	Connecting cable main - heater
945373	anthrazit	6,0 kW	3N AC 50 Hz 400 V	3 x 16	40 - 110° C	90*/ 37,5 / 36	6 - 8 m³	35 x 4 cm	15 kg	15 kg	5 x 1,5 mm²
944878		8,0 kW					8 - 12 m³	35 x 5 cm			5 x 1,5 mm²

All cross sections of a line are minimum diameters in mm² (Copper line)

*) during 25 cm ground clearance

Subject to technical modifications